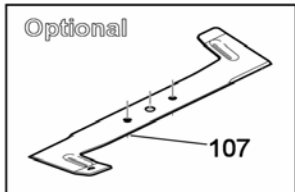
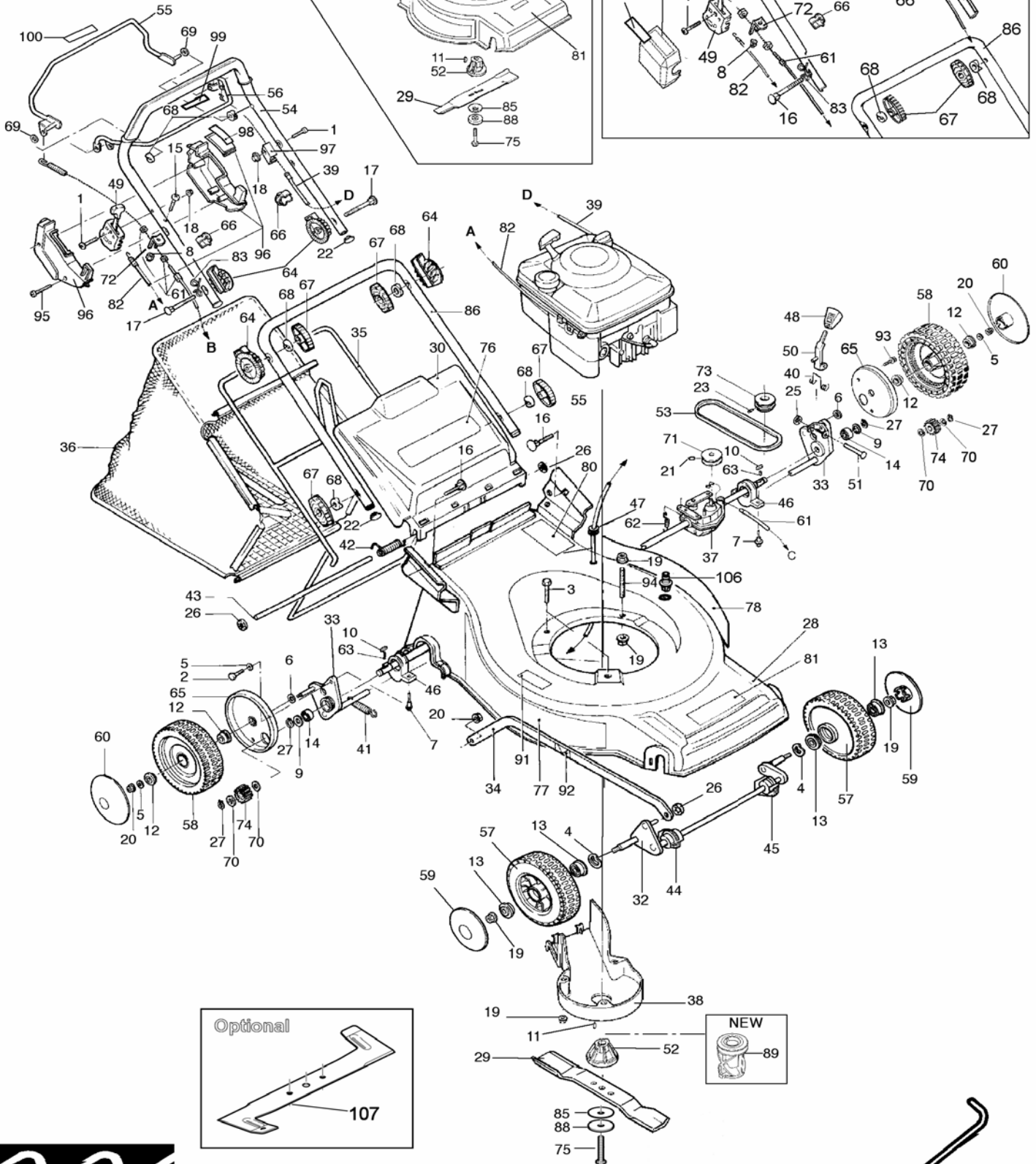
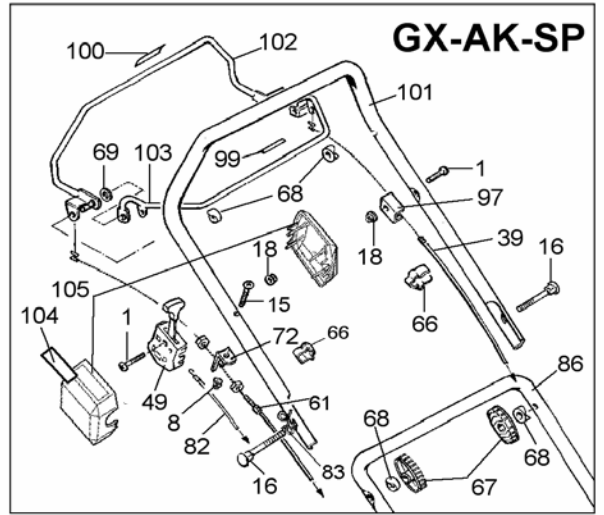
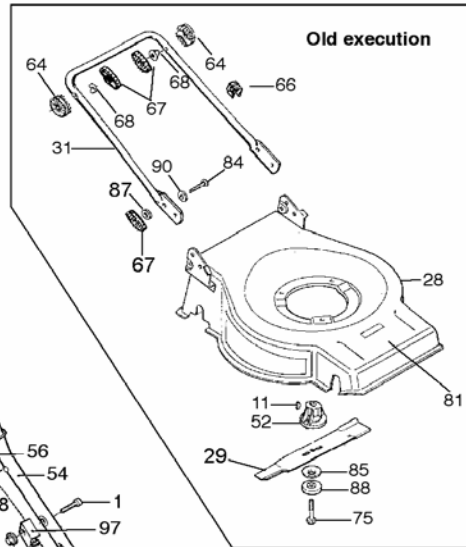


GT 47 S - GX 46 S - GX 47 S - AK 47 S - SP 47 S



RICAMBI ORIGINALI

| POS. | CODICE      | I                  | F                | D               | GB              | E               | GT 47                               | GX 46                        | GX 47 | AK 47 | SP 47 |  |  |  |  |
|------|-------------|--------------------|------------------|-----------------|-----------------|-----------------|-------------------------------------|------------------------------|-------|-------|-------|--|--|--|--|
| 1    | CP060640    | VITE TC            | VIS              | SCHRAUBE        | SCREW           | TORNILLO        | 2                                   | 2                            | 2     | 2     | 2     |  |  |  |  |
| 2    | CP030825    | VITE TE            | VIS              | SCHRAUBE        | SCREW           | TORNILLO        | 1                                   | 1                            | 1     | 1     | 1     |  |  |  |  |
| 3    | CP030845    | VITE TE            | VIS              | SCHRAUBE        | SCREW           | TORNILLO        | 3                                   | 3                            | 3     | 3     | 3     |  |  |  |  |
| 4    | CP032813    | RONDELLA           | RONDELLE         | SCHIBE          | WASHER          | ARANDELA        | 2                                   | 2                            | 2     | 2     | 2     |  |  |  |  |
| 4    | CP032913    | RONDELLA           | RONDELLE         | SCHIBE          | WASHER          | ARANDELA        | 4 X RUOTE CP047118.98 - CP053128.98 |                              |       |       |       |  |  |  |  |
| 5    | CP032908    | RONDELLA           | RONDELLE         | SCHIBE          | WASHER          | ARANDELA        | 5                                   | 5                            | 5     | 5     | 5     |  |  |  |  |
| 6    | CP032913    | RONDELLA           | RONDELLE         | SCHIBE          | WASHER          | ARANDELA        | 2                                   | 2                            | 2     | 2     | 2     |  |  |  |  |
| 7    | CP034615    | RIVETTO            | RIVET            | NIET            | RIVET           | CLAVO           | 4                                   | 4                            | 4     | 4     | 4     |  |  |  |  |
| 8    | CP044906    | DADO               | ÉCROU            | MUTTER          | KNOB            | ESPARRAGO       | 1                                   | 1                            | 1     | 1     | 1     |  |  |  |  |
| 9    | CP035905    | RASAMENTO          | RONDELLE         | SCHIBE          | WASHER          | ARANDELA        | 2                                   | 2                            | 2     | 2     | 2     |  |  |  |  |
| 10   | CP037305    | CHIAVETTA          | CLAVETTE         | SCHLÜSSELCHEN   | WOODRUFF KEY    | CHAVETA         | 2                                   | 2                            | 2     | 2     | 2     |  |  |  |  |
| 11   | CP037406    | CHIAVETTA          | CLAVETTE         | SCHLÜSSELCHEN   | WOODRUFF KEY    | CHAVETA         | 1 (fino a / till 03/1999)           |                              |       |       |       |  |  |  |  |
| 12   | CP038226    | CUSCINETTO 12X26   | ROULEMENT        | KUGELLAGER      | BALL BEARING    | COJINETE        | 4                                   | 4                            | 4     | 4     | 4     |  |  |  |  |
| 12   | CP038228    | CUSCINETTO         | ROULEMENT        | KUGELLAGER      | BALL BEARING    | COJINETE        | 2 X RUOTE - CP053128.98             |                              |       |       |       |  |  |  |  |
| 13   | CP040226    | BOCCOLA            | BOUCLE           | BÜCHSE          | BUSH            | COJINETE        |                                     |                              |       |       | 4     |  |  |  |  |
| 13   | CP038227    | CUSCINETTO 12X27   | ROULEMENT        | KUGELLAGER      | BALL BEARING    | COJINETE        | 4                                   | 4                            | 4     | 4     |       |  |  |  |  |
| 13   | CP038228    | CUSCINETTO         | ROULEMENT        | KUGELLAGER      | BALL BEARING    | COJINETE        | 2 X RUOTE CP047118.98               |                              |       |       |       |  |  |  |  |
| 14   | CP038228    | CUSCINETTO         | ROULEMENT        | KUGELLAGER      | BALL BEARING    | COJINETE        | 2                                   | 2                            | 2     | 2     | 2     |  |  |  |  |
| 15   | CP040630    | VITE TTQST         | VIS              | SCHRAUBE        | SCREW           | TORNILLO        | 1                                   | 1                            | 1     | 1     | 1     |  |  |  |  |
| 16   | CP040850    | VITE TTQST         | VIS              | SCHRAUBE        | SCREW           | TORNILLO        | 2                                   | 4                            | 4     | 4     | 4     |  |  |  |  |
| 17   | CP040875    | VITE TTQST         | VIS              | SCHRAUBE        | SCREW           | TORNILLO        | 2                                   |                              |       |       |       |  |  |  |  |
| 18   | CP042806    | DADO               | ÉCROU            | MUTTER          | KNOB            | ESPARRAGO       | 3                                   | 3                            | 3     | 3     | 3     |  |  |  |  |
| 19   | CP042808    | DADO               | ÉCROU            | MUTTER          | KNOB            | ESPARRAGO       | 8                                   | 8                            | 8     | 8     | 8     |  |  |  |  |
| 20   | CP044708    | DADO               | ÉCROU            | MUTTER          | KNOB            | ESPARRAGO       | 3                                   | 3                            | 3     | 3     | 3     |  |  |  |  |
| 21   | CP045530    | SPINA              | GOUPILLE         | DORN            | PIN             | PASADOR         | 1                                   | 1                            | 1     | 1     | 1     |  |  |  |  |
| 22   | CP045722    | TAPPO              | COUVERCLE        | KAPPE           | CAP             | TAPA            | 4                                   | 2                            | 2     | 2     | 2     |  |  |  |  |
| 23   | CP045810    | GRANO              | VIS              | SCHRAUBE        | SCREW           | TORNILLO        | 1 (fino a / till 03/1999)           |                              |       |       |       |  |  |  |  |
| 25   | CP046606    | RITEGNO            | CLIP             | RÜCKHALT        | RETAINER        | ANILLO CLIP     | 1                                   | 1                            | 1     | 1     | 1     |  |  |  |  |
| 26   | CP046607    | RITEGNO            | CLIP             | RÜCKHALT        | RETAINER        | ANILLO CLIP     | 3                                   | 3                            | 3     | 3     | 3     |  |  |  |  |
| 27   | CP046812    | SEEGER             | SEEGER           | RÜCKHALT        | RETAINER        | ANILLO CLIP     | 4                                   | 4                            | 4     | 4     | 4     |  |  |  |  |
| 28   | CP046001.02 | CHASSIS ROSSO      | CARTER           | GEHÄUSE         | DECK            | CHASIS          |                                     | 1                            |       |       |       |  |  |  |  |
| 28   | CP047001    | CHASSIS VERDE      | CARTER           | GEHÄUSE         | DECK            | CHASIS          | 1                                   |                              |       |       |       |  |  |  |  |
| 28   | CP047001.02 | CHASSIS ROSSO      | CARTER           | GEHÄUSE         | DECK            | CHASIS          |                                     |                              | 1     |       |       |  |  |  |  |
| 28   | CP047001.03 | CHASSIS ARGENTO    | CARTER           | GEHÄUSE         | DECK            | CHASIS          |                                     |                              |       | 1     |       |  |  |  |  |
| 28   | CP047001.12 | CHASSIS            | CARTER           | GEHÄUSE         | DECK            | CHASIS          |                                     |                              |       |       | 1     |  |  |  |  |
| 29   | CP047013    | LAMA               | LAME             | MESSER          | BLADE           | CUCHILLA        | 1                                   | 1                            | 1     | 1     | 1     |  |  |  |  |
| 30   | CP047018    | PARASASSI          | DEFLECTEUR       | DEFLEKTOR       | REAR DOOR       | DEFLECTOR       | 1                                   | 1                            | 1     | 1     | 1     |  |  |  |  |
| 31   | CP047033    | MANICO INF.        | GUIDON           | STIEL           | HANDLE          | MANILLAR        | 1                                   | 1                            | 1     | 1     | 1     |  |  |  |  |
| 32   | CP047048    | ASSALE ANT         | AXE AVANT        | VORDERACHSE     | FRONT AXLE      | EJE ANTERIOR    | 1                                   | 1                            | 1     | 1     | 1     |  |  |  |  |
| 33   | CP047058    | ASSALE POS         | AXE ARRIERE      | HINTERACHSE     | REAR AXLE       | EJE POSTERIOR   | 1                                   | 1                            | 1     | 1     | 1     |  |  |  |  |
| 34   | CP047063    | TIRANTE ASSALE     | BARRE            | GESTÄNGE        | LINK ROD        | TIRANTE EJE     | 1                                   | 1                            | 1     | 1     | 1     |  |  |  |  |
| 35   | CP047078    | TELAIO CESTO       | ATTELAGE         | GRASFANGRAHMEN  | FRAME           | ARMAZON SACO    | 1                                   | 1                            | 1     | 1     | 1     |  |  |  |  |
| 36   | CP047083    | TELA CESTO BIANCA  | SAC RAMASSEUR    | GRASFANGSACK    | GRASS BAG       | SACO TELA       | 1                                   |                              |       | 1     |       |  |  |  |  |
| 36   | CP047083.05 | TELA CESTO NERA    | SAC RAMASSEUR    | GRASFANGSACK    | GRASS BAG       | SACO TELA       |                                     | 1                            | 1     |       | 1     |  |  |  |  |
| 37   | CP047088    | RIDUTTORE TR 47    | REDUCTEUR        | UNTERSETZUNGGE  | GEAR BOX ASSY   | TRANSMISION     | 1                                   | 1                            | 1     | 1     | 1     |  |  |  |  |
| 38   | CP047096    | COPRICINGHIA       | COUVERCLE COUR   | RIEMENSCHUTZ    | BELT COVER      | TAPA            | 1                                   | 1                            | 1     | 1     | 1     |  |  |  |  |
| 39   | ?-TAB-FR    | CAVO FRENO         | CABLE FREIN      | KABEL           | CABLE           | CABLE           | 1                                   | 1                            | 1     | 1     | 1     |  |  |  |  |
| 40   | CP047191    | MOLLA              | RESSORT          | FEDER           | SPRING          | MUELLE          | 1                                   | 1                            | 1     | 1     | 1     |  |  |  |  |
| 41   | CP047192    | MOLLA              | RESSORT          | FEDER           | SPRING          | MUELLE          | 1                                   | 1                            | 1     | 1     | 1     |  |  |  |  |
| 42   | CP050192    | MOLLA PARASASSI    | RESSORT          | FEDER           | SPRING          | MUELLE          | 1                                   | 1                            | 1     | 1     | 1     |  |  |  |  |
| 43   | CP047203    | ASTINA             | AXE PIVOT        | STANGE          | HINGE PIN       | EJE DEFLECTOR   | 1                                   | 1                            | 1     | 1     | 1     |  |  |  |  |
| 44   | CP047212    | SUPPORTO ASSALE    | SUPPORT          | ACHSELAGER      | SUPPORT         | SOPORTE         | 1                                   | 1                            | 1     | 1     | 1     |  |  |  |  |
| 45   | CP047213    | SUPPORTO ASSALE    | SUPPORT          | ACHSELAGER      | SUPPORT         | SOPORTE         | 1                                   | 1                            | 1     | 1     | 1     |  |  |  |  |
| 46   | CP047215    | SUPPORTO ASSALE    | SUPPORT          | ACHSELAGER      | SUPPORT         | SOPORTE         | 2                                   | 2                            | 2     | 2     | 2     |  |  |  |  |
| 47   | CP047217    | PASSACAVO          | JOINTE           | RING            | RING            | ANILLO          | 1                                   | 1                            | 1     | 1     | 1     |  |  |  |  |
| 48   | CP047236    | CAPPUCCIO          | CACHE MOYEU      | KAPPE           | HOOD            | POMO            | 1                                   | 1                            | 1     | 1     | 1     |  |  |  |  |
| 49   | CP047250    | COMANDO ACCELER    | LEVIER           | STANGE          | THROTTLE LEVER  | LEVA            | 1                                   | 1                            | 1     | 1     | 1     |  |  |  |  |
| 50   | CP047255    | LEVA ALZO          | LEVIER           | STANGE          | LEVER           | LEVA ALTURAS    | 1                                   | 1                            | 1     | 1     | 1     |  |  |  |  |
| 51   | CP047267    | PERNO              | GOUJON           | ZAPFEN          | PIN             | PERNO           | 1                                   | 1                            | 1     | 1     | 1     |  |  |  |  |
| 52   | CP053273    | MOZZO LAMA 22      | PORTE LAME       | MESSERHALTER    | BLADE ADAPTOR   | PORTA CUCHILLA  | 1 (fino a / till 03/1999)           |                              |       |       |       |  |  |  |  |
| 53   | CP047827    | CINGHIA Z 27 1/2   | COURROIE         | RIEMEN          | BELT            | CORREA          | 1                                   | 1                            | 1     | 1     | 1     |  |  |  |  |
| 54   | CP050043    | MANICO SUP.        | GUIDON           | STIEL           | HANDLE          | MANILLAR        | 1                                   |                              |       |       |       |  |  |  |  |
| 55   | CP050068    | LEVA INNESTO       | LEVIER EMBRAYAGE | STANGE          | LEVER CLUTCH    | LEVA            | 1                                   |                              |       |       |       |  |  |  |  |
| 56   | CP050073    | LEVA FRENO         | LEVIER FREIN     | STANGE          | LEVER           | LEVA            | 1                                   |                              |       |       |       |  |  |  |  |
| 57   | CP047109    | RUOTA 180          | ROUE             | RAD             | WHEEL           | RUEDA           |                                     |                              |       |       | 2     |  |  |  |  |
| 57   | CP050106    | RUOTA 180          | ROUE             | RAD             | WHEEL           | RUEDA           |                                     | 2                            | 2     | 2     |       |  |  |  |  |
| 57   | CP050108    | RUOTA 180          | ROUE             | RAD             | WHEEL           | RUEDA           | 2                                   | <--- (fino a / till 12/2005) |       |       |       |  |  |  |  |
| 57   | CP047118.98 | RUOTA 180 PH ZINC  | ROUE ACIER       | VERZINKTES RAD  | ZINC WHEEL      | RUEDA ZINC      | 2                                   | <--- (da / from 01/2006)     |       |       |       |  |  |  |  |
| 58   | CP050116    | RUOTA 200          | ROUE             | RAD             | WHEEL           | RUEDA           |                                     | 2                            | 2     | 2     | 2     |  |  |  |  |
| 58   | CP050118    | RUOTA 200          | ROUE             | RAD             | WHEEL           | RUEDA           | 2                                   | <--- (fino a / till 12/2005) |       |       |       |  |  |  |  |
| 58   | CP053128.98 | RUOTA 209T PH ZINC | ROUE ACIER       | VERZINKTES RAD  | ZINC WHEEL      | RUEDA ZINC      | 2                                   | <--- (da / from 01/2006)     |       |       |       |  |  |  |  |
| 59   | CP050127    | COPRIRUOTA 180     | CACHE MOYEU      | RADDECKUNG      | HUB CAP         | TAPA RUEDA      | 2 (da/from 04/2004 a/to 12/2005)    |                              |       |       |       |  |  |  |  |
| 59   | CP050128    | COPRIRUOTA 180     | CACHE MOYEU      | RADDECKUNG      | HUB CAP         | TAPA RUEDA      | 2 (fino a / till 04/2004)           |                              |       |       |       |  |  |  |  |
| 59   | CP047133    | COPRIRUOTA         | CACHE MOYEU      | RADDECKUNG      | HUB CAP         | TAPA RUEDA      | 2 (da / from 01/2006)               |                              |       |       |       |  |  |  |  |
| 60   | CP050132    | COPRIRUOTA 200-23  | CACHE MOYEU      | RADDECKUNG      | HUB CAP         | TAPA RUEDA      | 2 (da/from 04/2004 a/to 12/2005)    |                              |       |       |       |  |  |  |  |
| 60   | CP050133    | COPRIRUOTA 200-23  | CACHE MOYEU      | RADDECKUNG      | HUB CAP         | TAPA RUEDA      | 2 (fino a / till 04/2004)           |                              |       |       |       |  |  |  |  |
| 60   | CP047133    | COPRIRUOTA         | CACHE MOYEU      | RADDECKUNG      | HUB CAP         | TAPA RUEDA      | 2 (da / from 01/2006)               |                              |       |       |       |  |  |  |  |
| 61   | CP050139    | CAVO SEMOVENZA     | CABLE D'EMBAYAGE | SELBSTBEWEGLICH | CABLE CLUTCH    | CABLE TRACCION  | 1                                   | 1                            | 1     | 1     | 1     |  |  |  |  |
| 62   | CP050191    | MOLLA              | RESSORT          | FEDER           | SPRING          | MUELLE          | 1                                   | 1                            | 1     | 1     | 1     |  |  |  |  |
| 63   | CP050194    | MOLLA              | RESSORT          | FEDER           | SPRING          | MUELLE          | 2                                   | 2                            | 2     | 2     | 2     |  |  |  |  |
| 64   | CP050212    | REGOLATORE MANI    | REGLAGE DE GUIDO | STIELREGULATOR  | HANDLE REGULATO | REGULADOR MANIL | 4                                   |                              |       |       |       |  |  |  |  |
| 65   | CP050214    | COPRIRUOTA INTER   | CACHE MOYEU      | RADDECKUNG      | HUB CAP         | TAPA RUEDA      | 2                                   | 2                            | 2     | 2     | 2     |  |  |  |  |
| 66   | CP050222    | FERMACAVO          | ATTACHE CABLE    | KABELBESCHWERE  | CLIP            | FIJADOR CABLE   | 2                                   | 2                            | 2     | 2     | 2     |  |  |  |  |
| 67   | CP050228    | POMOLO MANICO      | ÉCROU            | GRIFF           | KNOB HANDLE     | POMO MANILLAR   | 4                                   | 4                            | 4     | 4     | 4     |  |  |  |  |

| POS. | CODICE      | I                 | F                | D              | GB              | E                | GT 47                     | GX 46 | GX 47 | AK 47 | SP 47 |
|------|-------------|-------------------|------------------|----------------|-----------------|------------------|---------------------------|-------|-------|-------|-------|
| 68   | CP050230    | RONDELLA          | RONDELLE         | SCHEIBE        | WASHER          | ARANDELA         | 6                         | 6     | 6     | 6     | 6     |
| 69   | CP050234    | RONDELLA          | RONDELLE         | SCHEIBE        | WASHER          | ARANDELA         | 2                         | 2     | 2     | 2     | 2     |
| 70   | CP050238    | RONDELLA          | RONDELLE         | SCHEIBE        | WASHER          | ARANDELA         | 4                         | 4     | 4     | 4     | 4     |
| 71   | CP050240    | PULEGGIA D.55     | POULIE           | RIEMENSCHLEIBE | PULLEY          | POLEA            | 1                         | 1     | 1     | 1     | 1     |
| 72   | CP050243    | STAFFETTA REGIST  | EQUARRE          | WINKELMASS     | BRACKET         | ABRAZADERA CABLE | 1                         | 1     | 1     | 1     | 1     |
| 73   | CP050262    | PULEGGIA MOTORE   | POULIE           | RIEMENSCHLEIBE | PULLEY          | POLEA            | 1 (fino a / till 03/1999) |       |       |       |       |
| 74   | CP050298    | INGRANAGGIO       | PIGNON           | GETRIEBE       | PINION          | ENGRANAJE        | 2                         | 2     | 2     | 2     | 2     |
| 75   | CP050965    | VITE LAMA 10.9    | VIS 10.9         | SCHRAUBE 10.9  | SCREW 10.9      | TORNILLO 10.9    | 1                         | 1     | 1     | 1     | 1     |
| 76   | CP053715    | DECALCO           | DECALQUE         | ETIKETTE       | DECAL           | CARTEL           | 1                         | 1     | 1     | 1     | 1     |
| 77   | CP053726    | DECALCO           | DECALQUE         | ETIKETTE       | DECAL           | CARTEL           | 1                         |       |       |       |       |
| 78   | CP053727    | DECALCO           | DECALQUE         | ETIKETTE       | DECAL           | CARTEL           | 1                         |       |       |       |       |
| 80   | CP053813    | DECALCO           | DECALQUE         | ETIKETTE       | DECAL           | CARTEL           | 1                         | 1     | 1     | 1     | 1     |
| 81   | CP053910    | DECALCO GREENTE   | DECALQUE         | ETIKETTE       | DECAL           | CARTEL           | 1                         |       |       |       |       |
| 81   | CP053861    | DECALCO GALAXY    | DECALQUE         | ETIKETTE       | DECAL           | CARTEL           |                           | 1     | 1     |       |       |
| 81   | CP053849    | DECALCO AKITA     | DECALQUE         | ETIKETTE       | DECAL           | CARTEL           |                           |       |       | 1     |       |
| 81   | CP053862    | DECALCO SPARTAN   | DECALQUE         | ETIKETTE       | DECAL           | CARTEL           |                           |       |       |       | 1     |
| 82   | ?-TAB-AC    | CAVO ACCELERATO   | CABLE GAZ        | KABEL          | CABLE           | CABLE            | 1                         | 1     | 1     | 1     | 1     |
| 83   | CP047242    | GANCIO FUNE AVV.  | PORTE CABLE      | KABELHALTER    | CABLE SUPPORT   | FIJADOR CABLE    | 1                         | 1     | 1     | 1     | 1     |
| 84   | CP040835    | VITE TTQST        | VIS              | SCHRAUBE       | SCREW           | TORNILLO         | 2                         | 2     | 2     | 2     | 2     |
| 85   | CP045911    | MOLLA A TAZZA     | RONDELLE         | SCHEIBE        | WASHER          | MUELLE           | 1                         | 1     | 1     | 1     | 1     |
| 86   | CP047034    | MANICO INF.       | GUIDON           | STIEL          | HANDLE          | MANILLAR         | 1                         | 1     | 1     | 1     | 1     |
| 87   | CP050233    | RONDELLA          | RONDELLE         | SCHEIBE        | WASHER          | ARANDELA         | 2                         | 2     | 2     | 2     | 2     |
| 88   | CP053250    | RONDELLA          | RONDELLE         | SCHEIBE        | WASHER          | ARANDELA         | 1                         | 1     | 1     | 1     | 1     |
| 89   | CP053274B22 | MOZZO D.22.2 +PUL | PORTE LAME + POU | MESSERHALTER   | BLADE ADAPTOR+P | PORTA CUCHILLA+P | 1 (ø Shaft 22.2 mm)       |       |       |       |       |
| 89   | CP053274B25 | MOZZO D.25 +PUL   | PORTE LAME + POU | MESSERHALTER   | BLADE ADAPTOR+P | PORTA CUCHILLA+P | 1 (ø Shaft 25 mm)         |       |       |       |       |
| 90   | CP032913    | RONDELLA          | RONDELLE         | SCHEIBE        | WASHER          | ARANDELA         | 2                         | 2     | 2     | 2     | 2     |
| 91   | CP053806    | DECALCO           | DECALQUE         | ETIKETTE       | DECAL           | CARTEL           | 1                         | 1     | 1     | 1     | 1     |
| 92   | CP053802    | DECALCO           | DECALQUE         | ETIKETTE       | DECAL           | CARTEL           | 1                         | 1     | 1     | 1     | 1     |
| 93   | CP030816    | VITE TE           | VIS              | SCHRAUBE       | SCREW           | TORNILLO         | 1                         | 1     | 1     | 1     | 1     |
| 94   | CP047257    | VITE 8X75         | VIS              | SCHRAUBE       | SCREW           | TORNILLO         | 1                         | 1     | 1     | 1     | 1     |
| 95   | CP025040    | VITE AUTOF.       | VIS              | SCHRAUBE       | SCREW           | TORNILLO         | 2                         |       |       |       |       |
| 96   | CP056226    | COPRIACCELERATO   | COUVERCLE        | DECKEL         | COVER           | COPA PROTECTORA  | 1                         |       |       |       |       |
| 97   | CP042216    | BLOCCETTO CAVO    | ATTACHE CABLE FR | KABELBESCHWERE | CLIP            | FIJADOR CABLE    | 1                         | 1     | 1     | 1     | 1     |
| 98   | CP053710    | DECALCO           | DECALQUE         | ETIKETTE       | DECAL           | CARTEL           | 1                         |       |       |       |       |
| 99   | CP053842    | DECALCO           | DECALQUE         | ETIKETTE       | DECAL           | CARTEL           | 1                         | 1     | 1     | 1     | 1     |
| 100  | CP053843    | DECALCO           | DECALQUE         | ETIKETTE       | DECAL           | CARTEL           | 1                         | 1     | 1     | 1     | 1     |
| 101  | CP047042    | MANICO SUP.       | GUIDON           | STIEL          | HANDLE          | MANILLAR         |                           | 1     | 1     | 1     | 1     |
| 102  | CP047068    | LEVA INNESTO      | LEVIER EMBRAYAGE | STANGE         | LEVER CLUTCH    | LEVA             |                           | 1     | 1     | 1     | 1     |
| 103  | CP047073    | LEVA FRENO        | LEVIER FREIN     | STANGE         | LEVER           | LEVA             |                           | 1     | 1     | 1     | 1     |
| 104  | CP053713    | DECALCO           | DECALQUE         | ETIKETTE       | DECAL           | CARTEL           |                           | 1     | 1     | 1     | 1     |
| 105  | CP047220    | COPRIACCELERATO   | COUVERCLE        | DECKEL         | COVER           | COPA PROTECTORA  |                           | 1     | 1     | 1     | 1     |
| 106  | CP052225    | INNESTO RAPIDO    | RACCORD DE L'EAU | SPELDEUSE      | WATER CONNECTOR | ENLACE           | 1                         | 1     | 1     | 1     | 1     |
| 107  | CP047012    | LAMA ALETTATA     | LAME             | MESSER         | BLADE           | CUCHILLA         | 1 (Optional)              |       |       |       |       |