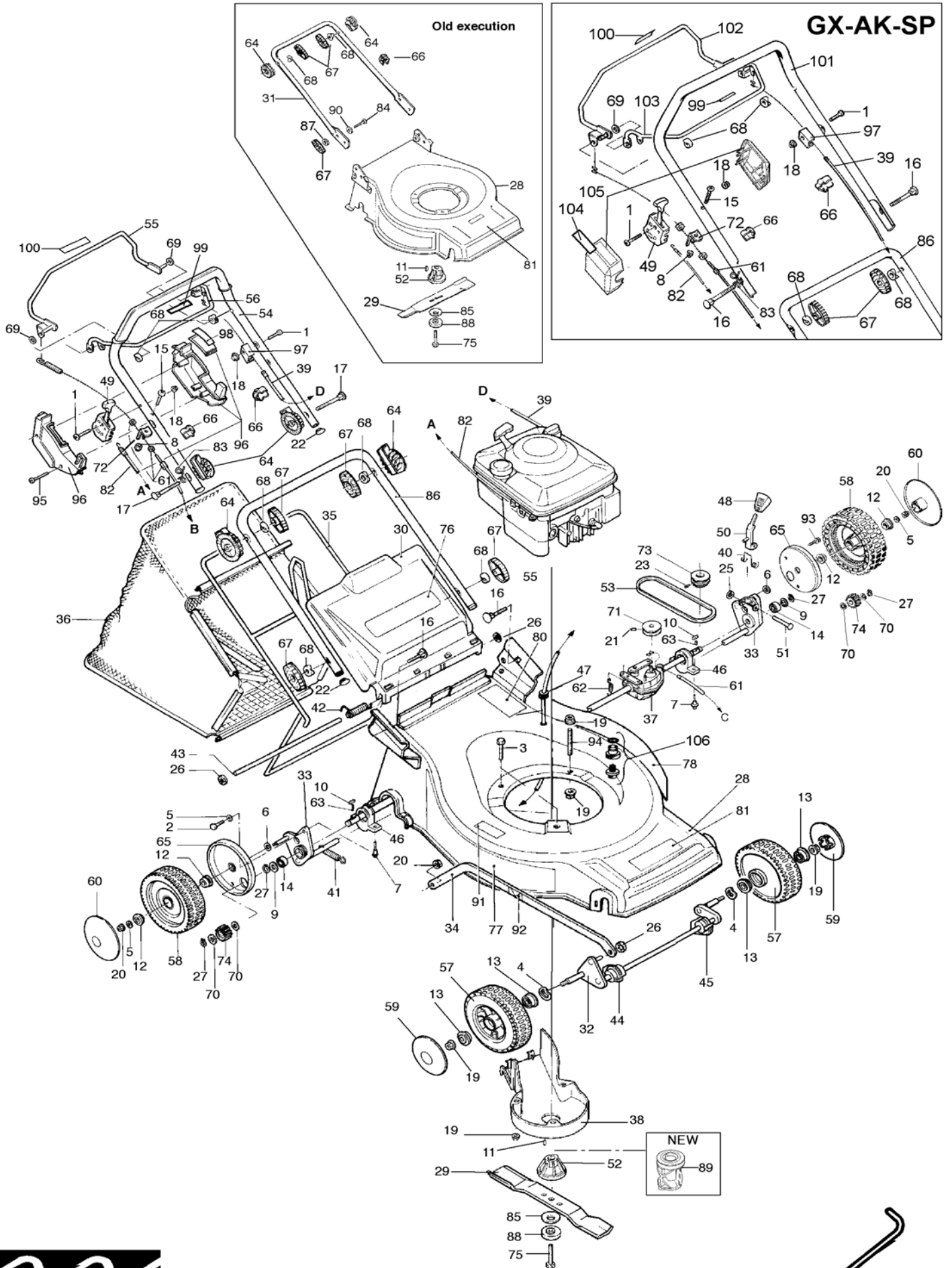


GT 47 S - GX 46 S - GX 47 S - AK 47 S - SP 47 S



RICAMBI ORIGINALI

| POS. | CODICE | I | F | D | GB | E | GT 47 | GX 46 | GX 47 | AK 47 | SP 47 |
|------|-------------|--------------------|------------------|-----------------|-----------------|-----------------|-------------------------------------|------------------------------|-------|-------|-------|
| 1 | CP060640 | VITE TC | VIS | SCHRAUBE | SCREW | TORNILLO | 2 | 2 | 2 | 2 | 2 |
| 2 | CP030825 | VITE TE | VIS | SCHRAUBE | SCREW | TORNILLO | 1 | 1 | 1 | 1 | 1 |
| 3 | CP030845 | VITE TE | VIS | SCHRAUBE | SCREW | TORNILLO | 3 | 3 | 3 | 3 | 3 |
| 4 | CP032813 | RONDELLA | RONDELLE | SCHEIBE | WASHER | ARANDELA | 2 | 2 | 2 | 2 | 2 |
| 4 | CP032913 | RONDELLA | RONDELLE | SCHEIBE | WASHER | ARANDELA | 4 X RUOTE CP047118.98 - CP053128.98 | | | | |
| 5 | CP032908 | RONDELLA | RONDELLE | SCHEIBE | WASHER | ARANDELA | 5 | 5 | 5 | 5 | 5 |
| 6 | CP032913 | RONDELLA | RONDELLE | SCHEIBE | WASHER | ARANDELA | 2 | 2 | 2 | 2 | 2 |
| 7 | CP034615 | RIVETTO | RIVET | NIET | RIVET | CLAVO | 4 | 4 | 4 | 4 | 4 |
| 8 | CP044906 | DADO | ÉCROU | MUTTER | KNOB | ESPARRAGO | 1 | 1 | 1 | 1 | 1 |
| 9 | CP035905 | RASAMENTO | RONDELLE | SCHEIBE | WASHER | ARANDELA | 2 | 2 | 2 | 2 | 2 |
| 10 | CP037305 | CHIAVETTA | CLAVETTE | SCHLÜSSELCHEN | WOODRUFF KEY | CHAVETA | 2 | 2 | 2 | 2 | 2 |
| 11 | CP037406 | CHIAVETTA | CLAVETTE | SCHLÜSSELCHEN | WOODRUFF KEY | CHAVETA | 1 (fino a / till 03/1999) | | | | |
| 12 | CP038226 | CUSCINETTO 12X26 | ROULEMENT | KUGELLAGER | BALL BEARING | COJINETE | 4 | 4 | 4 | 4 | 4 |
| 12 | CP038228 | CUSCINETTO | ROULEMENT | KUGELLAGER | BALL BEARING | COJINETE | 2 X RUOTE - CP053128.98 | | | | |
| 13 | CP040226 | BOCCOLA | BOUCLE | BÜCHSE | BUSH | COJINETE | | | | | 4 |
| 13 | CP038227 | CUSCINETTO 12X27 | ROULEMENT | KUGELLAGER | BALL BEARING | COJINETE | 4 | 4 | 4 | 4 | 4 |
| 13 | CP038228 | CUSCINETTO | ROULEMENT | KUGELLAGER | BALL BEARING | COJINETE | 2 X RUOTE CP047118.98 | | | | |
| 14 | CP038228 | CUSCINETTO | ROULEMENT | KUGELLAGER | BALL BEARING | COJINETE | 2 | 2 | 2 | 2 | 2 |
| 15 | CP040630 | VITE TTQST | VIS | SCHRAUBE | SCREW | TORNILLO | 1 | 1 | 1 | 1 | 1 |
| 16 | CP040850 | VITE TTQST | VIS | SCHRAUBE | SCREW | TORNILLO | 2 | 4 | 4 | 4 | 4 |
| 17 | CP040875 | VITE TTQST | VIS | SCHRAUBE | SCREW | TORNILLO | 2 | | | | |
| 18 | CP042806 | DADO | ÉCROU | MUTTER | KNOB | ESPARRAGO | 3 | 3 | 3 | 3 | 3 |
| 19 | CP042808 | DADO | ÉCROU | MUTTER | KNOB | ESPARRAGO | 8 | 8 | 8 | 8 | 8 |
| 20 | CP044708 | DADO | ÉCROU | MUTTER | KNOB | ESPARRAGO | 3 | 3 | 3 | 3 | 3 |
| 21 | CP045530 | SPINA | GOUPILLE | DORN | PIN | PASADOR | 1 | 1 | 1 | 1 | 1 |
| 22 | CP045722 | TAPPO | COUVERCLE | KAPPE | CAP | TAPA | 4 | 2 | 2 | 2 | 2 |
| 23 | CP045810 | GRANO | VIS | SCHRAUBE | SCREW | TORNILLO | 1 (fino a / till 03/1999) | | | | |
| 25 | CP046606 | RITEGNO | CLIP | RÜCKHALT | RETAINER | ANILLO CLIP | 1 | 1 | 1 | 1 | 1 |
| 26 | CP046607 | RITEGNO | CLIP | RÜCKHALT | RETAINER | ANILLO CLIP | 3 | 3 | 3 | 3 | 3 |
| 27 | CP046812 | SEEGER | SEEGER | RÜCKHALT | RETAINER | ANILLO CLIP | 4 | 4 | 4 | 4 | 4 |
| 28 | CP046001.02 | CHASSIS ROSSO | CARTER | GEHÄUSE | DECK | CHASIS | | 1 | | | |
| 28 | CP047001 | CHASSIS VERDE | CARTER | GEHÄUSE | DECK | CHASIS | 1 | | | | |
| 28 | CP047001.02 | CHASSIS ROSSO | CARTER | GEHÄUSE | DECK | CHASIS | | | 1 | | |
| 28 | CP047001.03 | CHASSIS ARGENTO | CARTER | GEHÄUSE | DECK | CHASIS | | | | 1 | |
| 28 | CP047001.12 | CHASSIS | CARTER | GEHÄUSE | DECK | CHASIS | | | | | 1 |
| 29 | CP047013 | LAMA | LAME | MESSER | BLADE | CUCHILLA | 1 | 1 | 1 | 1 | 1 |
| 30 | CP047018 | PARASASSI | DEFLECTEUR | DEFLEKTOR | REAR DOOR | DEFLECTOR | 1 | 1 | 1 | 1 | 1 |
| 31 | CP047033 | MANICO INF. | GUIDON | STIEL | HANDLE | MANILLAR | 1 | 1 | 1 | 1 | 1 |
| 32 | CP047048 | ASSALE ANT | AXE AVANT | VORDERACHSE | FRONT AXLE | EJE ANTERIOR | 1 | 1 | 1 | 1 | 1 |
| 33 | CP047058 | ASSALE POS | AXE ARRIERE | HINTERACHSE | REAR AXLE | EJE POSTERIOR | 1 | 1 | 1 | 1 | 1 |
| 34 | CP047063 | TIRANTE ASSALE | BARRE | GESTÄNGE | LINK ROD | TIRANTE EJE | 1 | 1 | 1 | 1 | 1 |
| 35 | CP047078 | TELAIO CESTO | ATTELAGE | GRASFANGRAHMEN | FRAME | ARMAZON SACO | 1 | 1 | 1 | 1 | 1 |
| 36 | CP047083 | TELA CESTO BIANCA | SAC RAMASSEUR | GRASFANGSACK | GRASS BAG | SACO TELA | 1 | | | | |
| 36 | CP047083.05 | TELA CESTO NERA | SAC RAMASSEUR | GRASFANGSACK | GRASS BAG | SACO TELA | | 1 | 1 | | 1 |
| 37 | CP047088 | RIDUTTORE TR 47 | REDUCTEUR | UNTERSETZUNGGE | GEAR BOX ASSY | TRANSMISION | 1 | 1 | 1 | 1 | 1 |
| 38 | CP047096 | COPRICINGHIA | COUVERCLE COUR | RIEMENSCHUTZ | BELT COVER | TAPA | 1 | 1 | 1 | 1 | 1 |
| 39 | ?-TAB-FR | CAVO FRENO | CABLE FREIN | KABEL | CABLE | CABLE | 1 | 1 | 1 | 1 | 1 |
| 40 | CP047191 | MOLLA | RESSORT | FEDER | SPRING | MUELLE | 1 | 1 | 1 | 1 | 1 |
| 41 | CP047192 | MOLLA | RESSORT | FEDER | SPRING | MUELLE | 1 | 1 | 1 | 1 | 1 |
| 42 | CP050192 | MOLLA PARASASSI | RESSORT | FEDER | SPRING | MUELLE | 1 | 1 | 1 | 1 | 1 |
| 43 | CP047203 | ASTINA | AXE PIVOT | STANGE | HINGE PIN | EJE DEFLECTOR | 1 | 1 | 1 | 1 | 1 |
| 44 | CP047212 | SUPPORTO ASSALE | SUPPORT | ACHSELAGER | SUPPORT | SOPORTE | 1 | 1 | 1 | 1 | 1 |
| 45 | CP047213 | SUPPORTO ASSALE | SUPPORT | ACHSELAGER | SUPPORT | SOPORTE | 1 | 1 | 1 | 1 | 1 |
| 46 | CP047215 | SUPPORTO ASSALE | SUPPORT | ACHSELAGER | SUPPORT | SOPORTE | 2 | 2 | 2 | 2 | 2 |
| 47 | CP047217 | PASSACAVO | JOINTE | RING | RING | ANILLO | 1 | 1 | 1 | 1 | 1 |
| 48 | CP047236 | CAPPUCCIO | CACHE MOYEU | KAPPE | HOOD | POMO | 1 | 1 | 1 | 1 | 1 |
| 49 | CP047250 | COMANDO ACCELER | LEVIER | STANGE | THROTTLE LEVER | LEVA | 1 | 1 | 1 | 1 | 1 |
| 50 | CP047255 | LEVA ALZO | LEVIER | STANGE | LEVER | LEVA ALTURAS | 1 | 1 | 1 | 1 | 1 |
| 51 | CP047267 | PERNO | GOUJON | ZAPFEN | PIN | PERNO | 1 | 1 | 1 | 1 | 1 |
| 52 | CP053273 | MOZZO LAMA 22 | PORTE LAME | MESSERHALTER | BLADE ADAPTOR | PORTA CUCHILLA | 1 (fino a / till 03/1999) | | | | |
| 53 | CP047827 | CINGHIA Z 27 1/2 | COURROIE | RIEMEN | BELT | CORREA | 1 | 1 | 1 | 1 | 1 |
| 54 | CP050043 | MANICO SUP. | GUIDON | STIEL | HANDLE | MANILLAR | 1 | | | | |
| 55 | CP050068 | LEVA INNESTO | LEVIER EMBRAYAGE | STANGE | LEVER CLUTCH | LEVA | 1 | | | | |
| 56 | CP050073 | LEVA FRENO | LEVIER FREIN | STANGE | LEVER | LEVA | 1 | | | | |
| 57 | CP047109 | RUOTA 180 | ROUE | RAD | WHEEL | RUEDA | | | | | 2 |
| 57 | CP050106 | RUOTA 180 | ROUE | RAD | WHEEL | RUEDA | | 2 | 2 | 2 | |
| 57 | CP050108 | RUOTA 180 | ROUE | RAD | WHEEL | RUEDA | 2 | <--- (fino a / till 12/2005) | | | |
| 57 | CP047118.98 | RUOTA 180 PH ZINC | ROUE ACIER | VERZINKTES RAD | ZINC WHEEL | RUEDA ZINC | 2 | <--- (da / from 01/2006) | | | |
| 58 | CP050116 | RUOTA 200 | ROUE | RAD | WHEEL | RUEDA | | 2 | 2 | 2 | 2 |
| 58 | CP050118 | RUOTA 200 | ROUE | RAD | WHEEL | RUEDA | 2 | <--- (fino a / till 12/2005) | | | |
| 58 | CP053128.98 | RUOTA 209T PH ZINC | ROUE ACIER | VERZINKTES RAD | ZINC WHEEL | RUEDA ZINC | 2 | <--- (da / from 01/2006) | | | |
| 59 | CP050127 | COPRIRUOTA 180 | CACHE MOYEU | RADDECKUNG | HUB CAP | TAPA RUEDA | 2 (da/from 04/2004 a/to 12/2005) | | | | |
| 59 | CP050128 | COPRIRUOTA 180 | CACHE MOYEU | RADDECKUNG | HUB CAP | TAPA RUEDA | 2 (fino a / till 04/2004) | | | | |
| 59 | CP047133 | COPRIRUOTA | CACHE MOYEU | RADDECKUNG | HUB CAP | TAPA RUEDA | 2 (da / from 01/2006) | | | | |
| 60 | CP050132 | COPRIRUOTA 200-23 | CACHE MOYEU | RADDECKUNG | HUB CAP | TAPA RUEDA | 2 (da/from 04/2004 a/to 12/2005) | | | | |
| 60 | CP050133 | COPRIRUOTA 200-23 | CACHE MOYEU | RADDECKUNG | HUB CAP | TAPA RUEDA | 2 (fino a / till 04/2004) | | | | |
| 60 | CP047133 | COPRIRUOTA | CACHE MOYEU | RADDECKUNG | HUB CAP | TAPA RUEDA | 2 (da / from 01/2006) | | | | |
| 61 | CP050139 | CAVO SEMOVENZA | CABLE D'EMBRYAGE | SELBSTBEWEGLICH | CABLE CLUTCH | CABLE TRACCION | 1 | 1 | 1 | 1 | 1 |
| 62 | CP050191 | MOLLA | RESSORT | FEDER | SPRING | MUELLE | 1 | 1 | 1 | 1 | 1 |
| 63 | CP050194 | MOLLA | RESSORT | FEDER | SPRING | MUELLE | 2 | 2 | 2 | 2 | 2 |
| 64 | CP050212 | REGOLATORE MANI | REGLAGE DE GUIDO | STIELREGULATOR | HANDLE REGULATO | REGULADOR MANIL | 4 | | | | |
| 65 | CP050214 | COPRIRUOTA INTER | CACHE MOYEU | RADDECKUNG | HUB CAP | TAPA RUEDA | 2 | 2 | 2 | 2 | 2 |
| 66 | CP050222 | FERMACAVO | ATTACHE CABLE | KABELBESCHWERE | CLIP | FIJADOR CABLE | 2 | 2 | 2 | 2 | 2 |
| 67 | CP050228 | POMOLO MANICO | ÉCROU | GRIFF | KNOB HANDLE | POMO MANILLAR | 4 | 4 | 4 | 4 | 4 |

| POS. | CODICE | I | F | D | GB | E | GT 47 | GX 46 | GX 47 | AK 47 | SP 47 |
|------|-----------|------------------|------------------|----------------|-----------------|------------------|----------------------------------|-------|-------|-------|-------|
| 68 | CP050230 | RONDELLA | RONDELLE | SCHEIBE | WASHER | ARANDELA | 6 | 6 | 6 | 6 | 6 |
| 69 | CP050234 | RONDELLA | RONDELLE | SCHEIBE | WASHER | ARANDELA | 2 | 2 | 2 | 2 | 2 |
| 70 | CP050238 | RONDELLA | RONDELLE | SCHEIBE | WASHER | ARANDELA | 4 | 4 | 4 | 4 | 4 |
| 71 | CP050240 | PULEGGIA D.55 | POULIE | RIEMENSCHLEIBE | PULLEY | POLEA | 1 | 1 | 1 | 1 | 1 |
| 72 | CP050243 | STAFFETTA REGIST | EQUARRE | WINKELMASS | BRACKET | ABRAZADERA CABLE | 1 | 1 | 1 | 1 | 1 |
| 73 | CP050262 | PULEGGIA MOTORE | POULIE | RIEMENSCHLEIBE | PULLEY | POLEA | 1 (fino a / till 03/1999) | | | | |
| 74 | CP050298 | INGRANAGGIO | PIGNON | GETRIEBE | PINION | ENGRANAJE | 2 | 2 | 2 | 2 | 2 |
| 75 | CP050964 | VITE LAMA | VIS | SCHRAUBE | SCREW | TORNILLO | 1 | 1 | 1 | 1 | 1 |
| 76 | CP053715 | DECALCO | DECALQUE | ETIKETTE | DECAL | CARTEL | 1 | 1 | 1 | 1 | 1 |
| 77 | CP053726 | DECALCO | DECALQUE | ETIKETTE | DECAL | CARTEL | 1 | | | | |
| 78 | CP053727 | DECALCO | DECALQUE | ETIKETTE | DECAL | CARTEL | 1 | | | | |
| 80 | CP053813 | DECALCO | DECALQUE | ETIKETTE | DECAL | CARTEL | 1 | 1 | 1 | 1 | 1 |
| 81 | CP053910 | DECALCO GREENTE | DECALQUE | ETIKETTE | DECAL | CARTEL | 1 | | | | |
| 81 | CP053861 | DECALCO GALAXY | DECALQUE | ETIKETTE | DECAL | CARTEL | | 1 | 1 | | |
| 81 | CP053849 | DECALCO AKITA | DECALQUE | ETIKETTE | DECAL | CARTEL | | | | 1 | |
| 81 | CP053862 | DECALCO SPARTAN | DECALQUE | ETIKETTE | DECAL | CARTEL | | | | | 1 |
| 82 | ?-TAB-AC | CAVO ACCELERATO | CABLE GAZ | KABEL | CABLE | CABLE | 1 | 1 | 1 | 1 | 1 |
| 83 | CP047242 | GANCIO FUNE AVV. | PORTE CABLE | KABELHALTER | CABLE SUPPORT | FIJADOR CABLE | 1 | 1 | 1 | 1 | 1 |
| 84 | CP040835 | VITE TTQST | VIS | SCHRAUBE | SCREW | TORNILLO | 2 | 2 | 2 | 2 | 2 |
| 85 | CP045911 | MOLLA A TAZZA | RONDELLE | SCHEIBE | WASHER | MUELLE | 1 | 1 | 1 | 1 | 1 |
| 86 | CP047034 | MANICO INF. | GUIDON | STIEL | HANDLE | MANILLAR | 1 | 1 | 1 | 1 | 1 |
| 87 | CP050233 | RONDELLA | RONDELLE | SCHEIBE | WASHER | ARANDELA | 2 | 2 | 2 | 2 | 2 |
| 88 | CP053250 | RONDELLA | RONDELLE | SCHEIBE | WASHER | ARANDELA | 1 | 1 | 1 | 1 | 1 |
| 89 | CP053274 | MOZZO CON PULEG | PORTE LAME + POU | MESSERHALTER | BLADE ADAPTOR+P | PORTA CUCHILLA+P | 1 (da/from 04/1999 a/to 05/2003) | | | | |
| 89 | CP053274A | MOZZO CON PULEG | PORTE LAME + POU | MESSERHALTER | BLADE ADAPTOR+P | PORTA CUCHILLA+P | 1 (da / from 06/2003) | | | | |
| 90 | CP032913 | RONDELLA | RONDELLE | SCHEIBE | WASHER | ARANDELA | 2 | 2 | 2 | 2 | 2 |
| 91 | CP053806 | DECALCO | DECALQUE | ETIKETTE | DECAL | CARTEL | 1 | 1 | 1 | 1 | 1 |
| 92 | CP053802 | DECALCO | DECALQUE | ETIKETTE | DECAL | CARTEL | 1 | 1 | 1 | 1 | 1 |
| 93 | CP030816 | VITE TE | VIS | SCHRAUBE | SCREW | TORNILLO | 1 | 1 | 1 | 1 | 1 |
| 94 | CP047257 | VITE 8X75 | VIS | SCHRAUBE | SCREW | TORNILLO | 1 | 1 | 1 | 1 | 1 |
| 95 | CP025040 | VITE AUTOF. | VIS | SCHRAUBE | SCREW | TORNILLO | 2 | | | | |
| 96 | CP056226 | COPRIACCELERATO | COUVERCLE | DECKEL | COVER | COPA PROTECTORA | 1 | | | | |
| 97 | CP042216 | BLOCCETTO CAVO | ATTACHE CABLE FR | KABELBESCHWERE | CLIP | FIJADOR CABLE | 1 | 1 | 1 | 1 | 1 |
| 98 | CP053710 | DECALCO | DECALQUE | ETIKETTE | DECAL | CARTEL | 1 | | | | |
| 99 | CP053842 | DECALCO | DECALQUE | ETIKETTE | DECAL | CARTEL | 1 | 1 | 1 | 1 | 1 |
| 100 | CP053843 | DECALCO | DECALQUE | ETIKETTE | DECAL | CARTEL | 1 | 1 | 1 | 1 | 1 |
| 101 | CP047042 | MANICO SUP. | GUIDON | STIEL | HANDLE | MANILLAR | | 1 | 1 | 1 | 1 |
| 102 | CP047068 | LEVA INNESTO | LEVIER EMBRAYAGE | STANGE | LEVER CLUTCH | LEVA | | 1 | 1 | 1 | 1 |
| 103 | CP047073 | LEVA FRENO | LEVIER FREIN | STANGE | LEVER | LEVA | | 1 | 1 | 1 | 1 |
| 104 | CP053713 | DECALCO | DECALQUE | ETIKETTE | DECAL | CARTEL | | 1 | 1 | 1 | 1 |
| 105 | CP047220 | COPRIACCELERATO | COUVERCLE | DECKEL | COVER | COPA PROTECTORA | | 1 | 1 | 1 | 1 |
| 106 | CP052225 | INNESTO RAPIDO | RACCORD DE L'EAU | SPUELDUESE | WATER CONNECTOR | ENLACE | 1 | 1 | 1 | 1 | 1 |