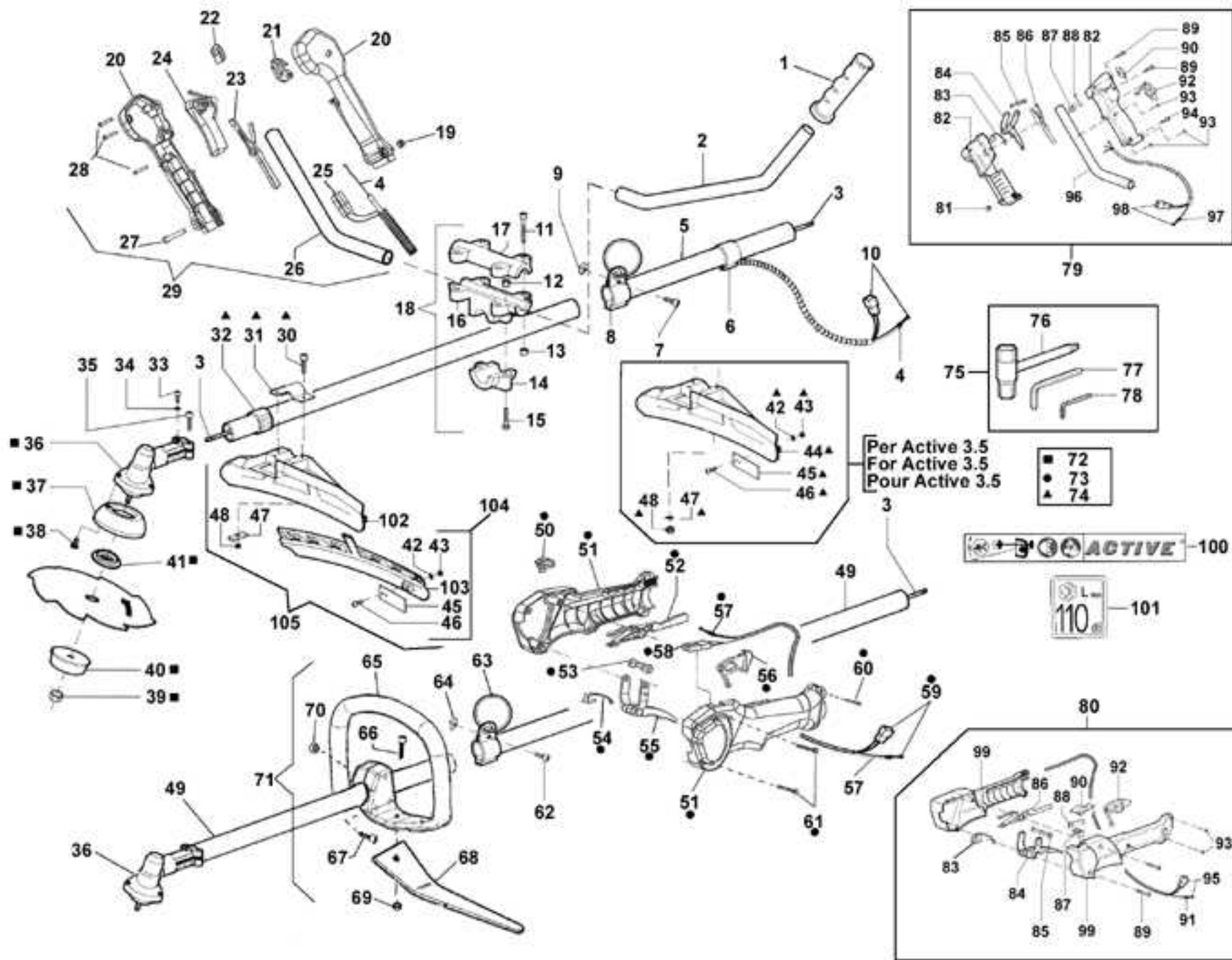




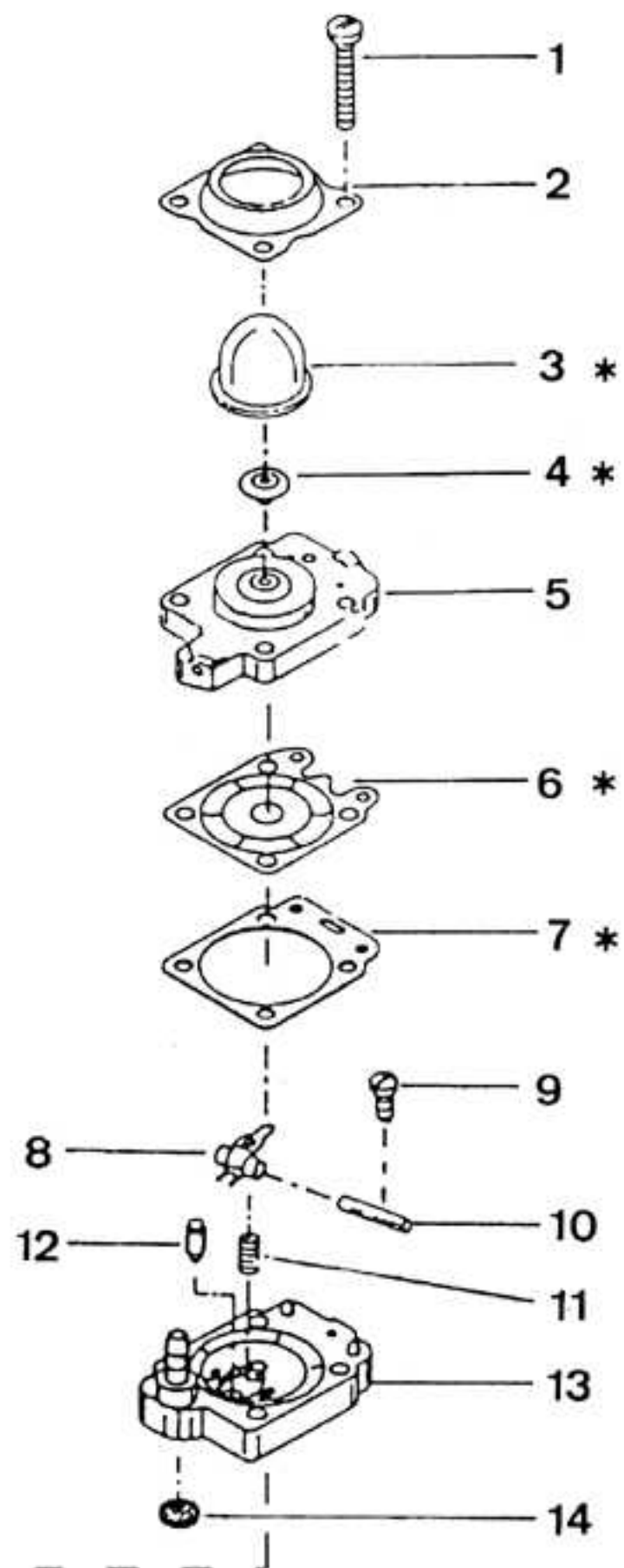
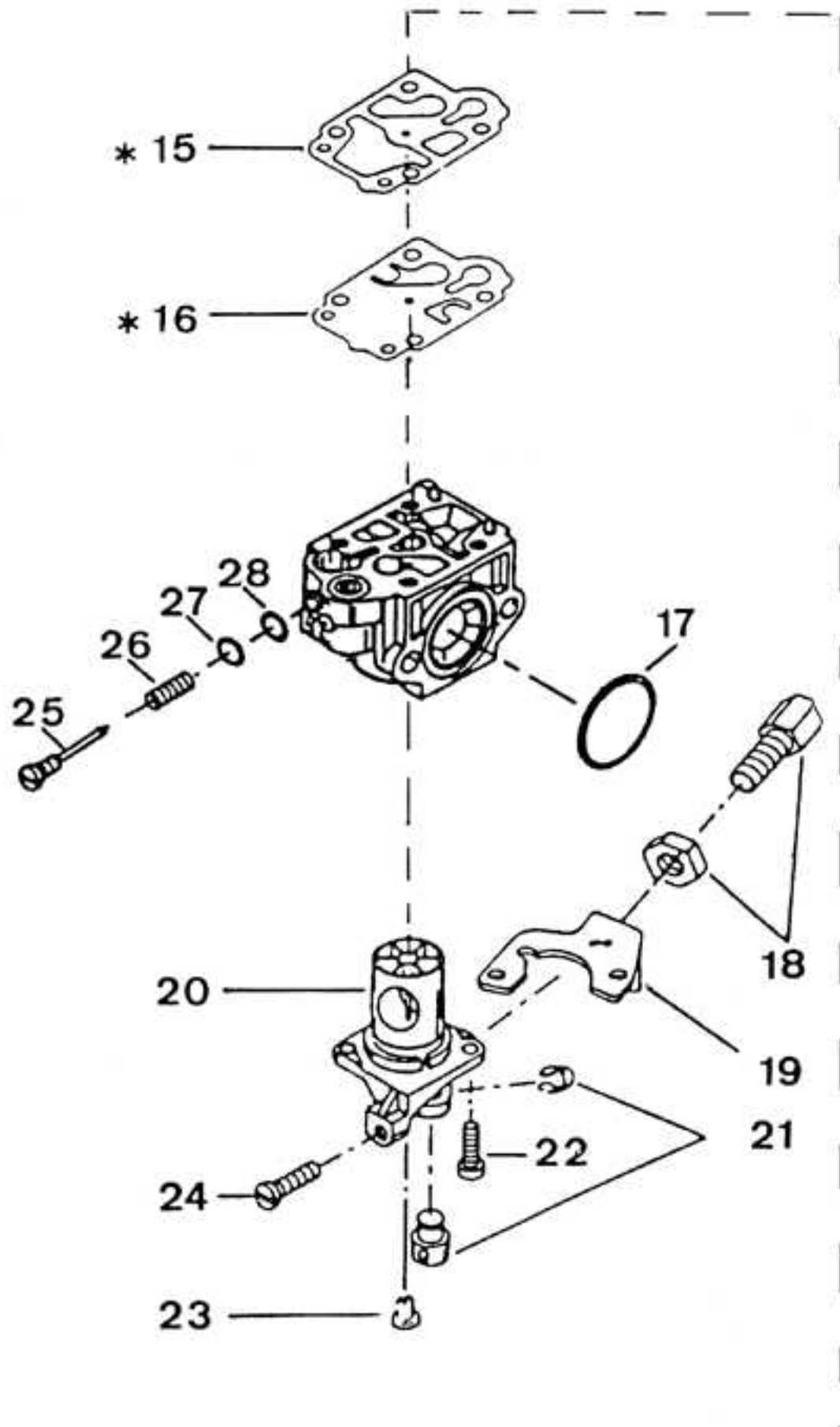
# MOTORE - MOTEUR - ENGINE (ACTIVE 3.5 - 4.0) GR. 11

| RIF. | COD.             | Q. | DESCRIZIONE - DESCRIPTION             | RIF. | COD.             | Q. | DESCRIZIONE - DESCRIPTION                         |
|------|------------------|----|---------------------------------------|------|------------------|----|---|
| REF. | N° / P<br>P / N° |    |                                       | REF. | N° / P<br>P / N° |    |   |
| 1    | 20649            | 1  | CUFFIA - CARTER - HOUSING             | 58   | 20730            | 1  | SCATOLA - CARTER - HOUSING                        |
| 2    | 20173            | 1  | VITE - VIS - SCREW                    | 59   | 20563            | 1  | GRIGLIA - GRILLE - SCREEN                         |
| 3    | 20064            | 3  | VITE - VIS - SCREW                    | 60   | 20731            | 1  | ELEMENTO - ELEMENT - PIECE                        |
| 4    | 20001            | 1  | VITE - VIS - SCREW                    | 61   | 20079            | 1  | VITE - VIS - SCREW                                |
| 5    | 20650            | 1  | MOZZO - MOYEUX - HUB                  | 62   | 20566            | 1  | O.R.  |
| 6    | 20001            | 1  | VITE - VIS - SCREW                    | 63   | 20733            | 1  | COPERCHIO - COUVERCLE - COVER                     |
| 7    | 20891            | 1  | AMMORTIZ.-AMORTISS.-SHOCK ABS.        | 64   | 20172            | 1  | VITE - VIS - SCREW                                |
| 8    | 20651            | 1  | SUPPORTO - SUPPORT - MOUNTING         | 65   | 20734            | 1  | FILTRO COM. - FILTRE COM.- COMP. FILT.            |
| 9    | 20218            | 1  | ANELLO ELAS. - CIRCLIP - SNAP RING    | 66   | 20664            | 1  | GUARNIZIONE - JOINT - GASKET                      |
| 10   | 20642            | 1  | CUSCINETTO - ROULEMENT - BEARING      | 67   | 20662            | 1  | GUARNIZIONE - JOINT - GASKET                      |
| 11   | 20229            | 1  | ANELLO ELAS. - CIRCLIP - SNAP RING    | 68   | 20661            | 1  | CIL. + PIS. - CYL. + PIS. - CYL+ PIS. (3.7 - 4.0) |
| 12   | 20739            | 1  | CAMPANA - TAMBOUR - DRUM              | 68   | 20895            | 1  | CIL. + PIS. - CYL. + PIS. - CYL+ PIS. (3.2 - 3.5) |
| 13   | 20068            | 2  | VITE - VIS - SCREW                    | 69   | 20663            | 1  | GUARNIZIONE - JOINT - GASKET                      |
| 14   | 20069            | 2  | RONDELLA - RONDELLE - WASHER          | 70   | 20278            | 1  | RONDELLA - RONDELLE - WASHER                      |
| 15   | 20067            | 1  | MOLLA - RESSORT - SPRING              | 71   | 20064            | 1  | VITE - VIS - SCREW                                |
| 16   | 20049            | 2  | PATTINO - MACHOIRE - SHOE             | 72   | 20668            | 1  | MARMITTA - POT D'ECHAPP - MUFFLER                 |
| 17   | 20065            | 1  | FRIZIONE - EMBRAYAGE - CLUTCH         | 73   | 20896            | 2  | RONDELLA - RONDELLE - WASHER                      |
| 18   | 20070            | 2  | RONDELLA - RONDELLE - WASHER          | 74   | 20022            | 1  | VITE - VIS - SCREW                                |
| 19   | 20058            | 1  | DADO - ECROU - NUT                    | 75   | 20359            | 1  | VITE - VIS - SCREW                                |
| 20   | 20711            | 1  | RONDELLA - RONDELLE - WASHER          | 76   | 20560            | 3  | BOCCOLA - BAGUE - EYELET                          |
| 21   | 20676            | 1  | VOLANO - VOLANT - FLYWHEEL            | 77   | 20858            | 1  | VITE - VIS - SCREW                                |
| 22   | 20278            | 4  | RONDELLA - RONDELLE - WASHER          | 78   | 20669            | 1  | PROTEZIONE-CAPOT-GUARD                            |
| 23   | 20640            | 2  | ANELLO TENUTA - JOINT - SEAL          | 79   | 20064            | 1  | VITE - VIS - SCREW                                |
| 24   | 20047            | 3  | VITE - VIS - SCREW                    | 80   | 20879            | 1  | DADO - ECROU - NUT                                |
| 25   | 20366            | 2  | VITE - VIS - SCREW                    | 81   | 20671            | 1  | COFANO-CAPOT-COVER (Verde-Green)                  |
| 26   | 20896            | 2  | RONDELLA - RONDELLE - WASHER          | 81   | 20670            | 1  | COFANO-CAPOT-COVER (Rosso-Red)                    |
| 27   | 20741            | 1  | BOBINA - BOBINE - COIL                | 82   | 20586            | 1  | PASSA CAVO - OEILLET - EYELET                     |
| 28   | 21346            | 1  | CABLAGGIO - FIL - WIRE                | 83   | 20770            | 1  | CANDELA - BOUGIE - SPARK PLUG                     |
| 29   | 20738            | 1  | CARTER - CANKCASE                     | 84   | 20646            | 1  | SERBAT. COM. - RESER. COM. - FUEL T.              |
| 30   | 20641            | 2  | CUSCINETTO - ROULEMENT - BEARING      | 85   | 20042            | 1  | PESCANTE - ENSEMBLE - KIT                         |
| 31   | 20463            | 1  | ALB.MOT. - VILEBREQUIN-CRANKSHAFT     | 86   | 20097            | 1  | TUBO CARB. - TUYAUCARB. - INLETPipe               |
| 32   | 20026            | 1  | GABBIA RULLI - ROULEMENT - BEARING    | 87   | 20100            | 1  | SFIATO - RENIFLAR - BREATHER                      |
| 33   | 20893            | 2  | RASAMENTI - RONDELLE - WASHER         | 88   | 20091            | 1  | TUBO REC. - TUYAU RET. - OVERF. PIPE              |
| 34   | 20020            | 2  | ANELLO ELAS. - CIRCLIP - SNAP RING    | 89   | 20099            | 1  | PASSATUBI - OEILLET - GRUMMET                     |
| 35   | 20019            | 2  | SEGMENTO - SEGMENT - RING (40mm)      | 90   | 20093            | 1  | FILTRO - FILTRE - FILTER                          |
| 36   | 20674            | 1  | PISTONE - PISTON - Ø 40 mm            | 91   | 20645            | 1  | SERBATOIO - RESERVOIR - FUEL TANK                 |
| 37   | 20652            | 1  | TRASCINATORE - CLIQUET - DRIVER       | 92   | 20064            | 2  | VITE - VIS - SCREW                                |
| 38   | 20087            | 2  | ANELLO ELAS. - CIRCLIP - SNAP RING    | 93   | 20369            | 4  | BOCCOLA - BAGUE - EYELET                          |
| 39   | 20084            | 2  | MOLLA - RESSORT - SPRING              | 94   | 20064            | 4  | VITE - VIS - SCREW                                |
| 40   | 20654            | 2  | CRICHETTO - CLIQUET. - PAWL           | 95   | 20359            | 4  | VITE - VIS - SCREW                                |
| 41   | 20027            | 1  | DADO - ECROU - NUT                    | 96   | 20673            | 1  | SUPPORTO - SUPPORT - BRAKET                       |
| 42   | 20659            | 1  | AVVIAMENTO - LANCEUR - STARTER        | 97   | 20094            | 1  | TAPPO COMP. - BOUCHON - FUEL CAP                  |
| 43   | 20076            | 1  | VITE - VIS - SCREW                    | 98   | 20095            | 1  | GUARNIZIONE - JOINT - GASKET                      |
| 44   | 20316            | 1  | RONDELLA - RONDELLE - WASHER          | 99   | 20571            | 1  | PIPETTA - CACHE BOUGIE - S.P. COVER               |
| 45   | 20656            | 1  | PULEGGIA - POULIE - PULLEY            | 100  | 20572            | 1  | COP. CAND. - C. BOUGIE - S.P. COVER               |
| 46   | 20657            | 1  | CORDA - CORDE - ROPE                  | 101  | 20574            | 1  | MOLLA - RESSORT - SPRING                          |
| 47   | 20658            | 1  | MOLLA - RESSORT - SPRING              | 102  | 20735            | 1  | SHORT BLOCK (3.2 - 3.5)                           |
| 48   | 20655            | 1  | SCATOLA - CARTER - HOUSING            | 102  | 20736            | 1  | SHORT BLOCK (3.7 - 4.0)                           |
| 49   | 20081            | 1  | IMPUGNATURA -POIGNEE - HANDLE         | 103  | 20737            | 1  | KIT GUARN. - JOINT KIT - GASKET KIT               |
| 50   | 20001            | 2  | VITE - VIS - SCREW                    | 104  | 20051            | 1  | FILTRO - FILTRE - FILTER                          |
| 51   | 20060            | 1  | DADO - ECROU - NUT                    | 105  | 20053            | 1  | COPERCHIO - COUVERCLE - COVER                     |
| 52   | 20894            | 1  | VITE - VIS - SCREW                    | 106  | 20052            | 1  | ELEMENTO - FILTRE - AIR FILTER                    |
| 53   | 20666            | 1  | FLANGIA TER. - FLASQUE THER. - INSUL. | 107  | 20054            | 1  | SUPPORTO - SUPPORT - BRAKET                       |
| 54   | 20359            | 2  | VITE - VIS - SCREW                    | 108  | 20060            | 1  | DADO - ECROU - NUT                                |
| 55   | 20665            | 1  | GUARNIZIONE - JOINT - GASKET          | 109  | 21022            | 1  | GUARNIZIONE - JOINT - GASKET                      |
| 56   | 20643            | 1  | CARBURAT. - CARBURAT. - CARBURAT.     | 110  | 20653            | 1  | SUPPORTO - SUPPORT - BRAKET                       |
| 57   | 20732            | 1  | DISTANZIALE - ENTRETOISE - SPACER     | 111  | 20922            | 1  | CARTER COMPL.                                     |



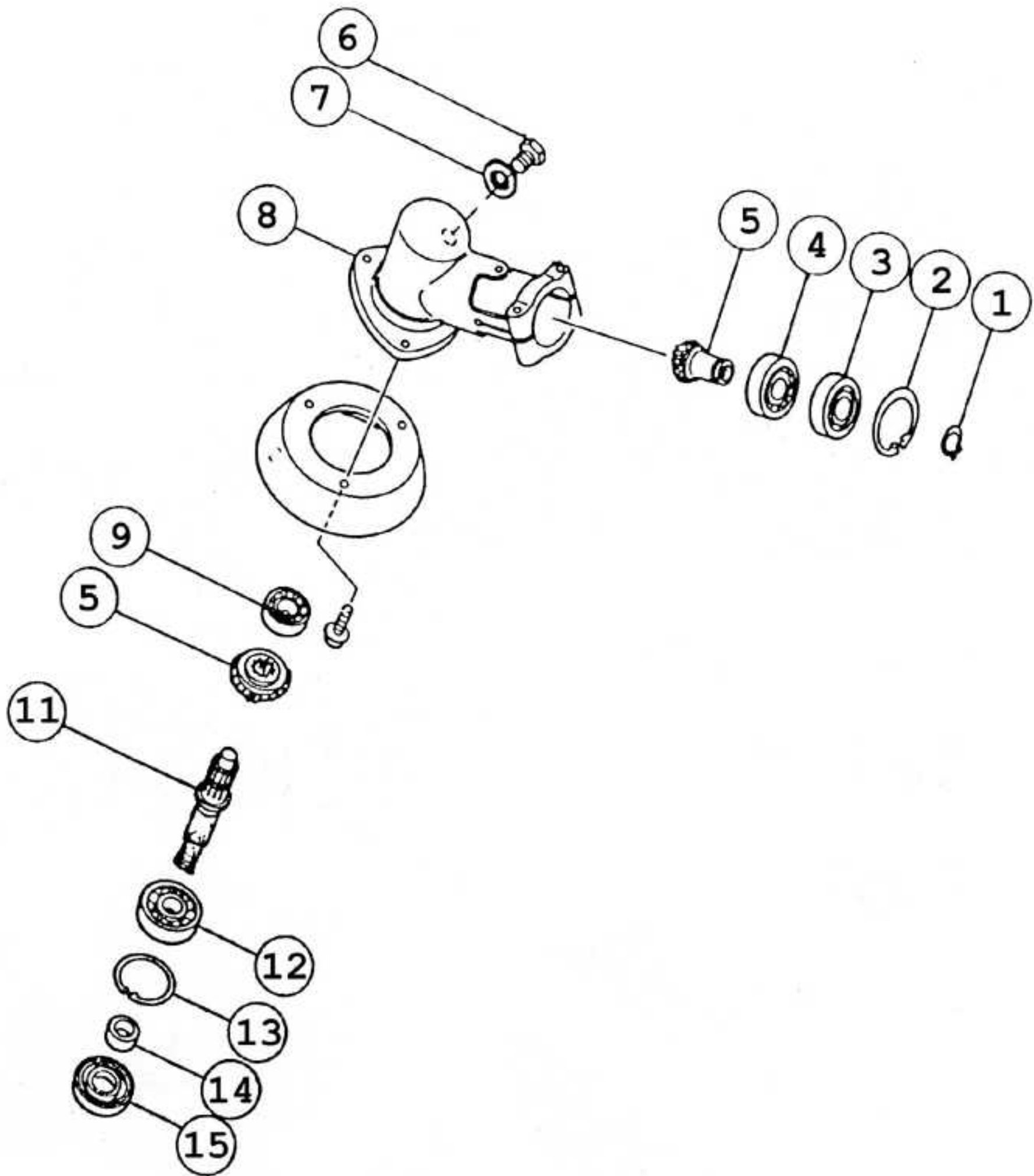
**CARBURATORE - CARBURATEUR - CARBURATOR Mod. WYK-89 GR 10**

| <b>RIF.</b> | <b>COD.</b>    | <b>DESCRIZIONE - DESCRIPTION</b>  | <b>RIF.</b> | <b>COD.</b>    | <b>DESCRIZIONE - DESCRIPTION</b>     |
|-------------|----------------|-----------------------------------|-------------|----------------|--------------------------------------|
| <b>REF.</b> | <b>P / N°.</b> |                                   | <b>REF.</b> | <b>P / N°.</b> |                                      |
| 1           | <b>20232</b>   | VITE - VIS - SCREW                | 16          | <b>20247</b>   | GUARNIZIONE - JOINT - GASKET         |
| 2           | <b>20233</b>   | COPERCHIO - COUVERCLE - COVER     | 17          | <b>20248</b>   | O.R.                                 |
| 3           | <b>20234</b>   | BULBO - BULBE - PRIMER            | 18          | <b>20249</b>   | VITE - VIS - SCREW                   |
| 4           | <b>20235</b>   | VALVOLA - CLAPET - VALVE          | 19          | <b>20250</b>   | SUPPORTO - SUPPORT - BRACKET         |
| 5           | <b>20236</b>   | CORPO VAL. - FLASQUE - VALVE BODY | 20          | <b>20847</b>   | VALVOLA - CLAPET - VALVE ASS'Y       |
| 6           | <b>20237</b>   | MEMBRANA - MEMBRANE - DIAPHRAGM   | 21          | <b>20252</b>   | PERNO - PIVOT - SWIVEL               |
| 7           | <b>20238</b>   | GUARNIZIONE - JOINT - GASKET      | 22          | <b>20253</b>   | VITE - VIS - SCREW                   |
| 8           | <b>20239</b>   | LEVA - LEVIER - LEVER             | 23          | <b>20254</b>   | TAPPO - BOUCHON - PLUG               |
| 9           | <b>20240</b>   | VITE - VIS - SCREW                | 24          | <b>20255</b>   | VITE - VIS - SCREW                   |
| 10          | <b>20241</b>   | PERNO - AXE - PIN                 | 25          | <b>20256</b>   | VITE - VIS - SCREW                   |
| 11          | <b>20833</b>   | MOLLA - RESSORT - SPRING          | 26          | <b>20257</b>   | MOLLA - RESSORT - SPRING             |
| 12          | <b>20243</b>   | SPILLO - POINTEAU - NEEDLE        | 27          | <b>20258</b>   | ROSETTA - RONDELLE - WASHER          |
| 13          | <b>20834</b>   | CORPO POMPA - FLASQUE - PUMP BODY | 28          | <b>20259</b>   | O.R.                                 |
| 14          | <b>20245</b>   | FILTRO - FILTRE - FILTER          | 29          | <b>20589</b>   | KIT MEMBRANE - KIT MEM. - DIAPH. KIT |
| 15          | <b>20246</b>   | MEMBRANA - MEMBRANE - DIAPHRAGM   |             |                |                                      |





| RIF.<br>N° / P<br>REF. | COD.<br>P / N° | Q. | DESCRIZIONE - DESCRIPTION            | RIF.<br>N° / P<br>REF. | COD.<br>P / N° | Q. | DESCRIZIONE - DESCRIPTION               |
|------------------------|----------------|----|--------------------------------------|------------------------|----------------|----|---|
| 1                      | 20859          | 1  | IMPUGNATURA - POIGNEE - HANDLE       | 56                     | 21584          | 1  | LEVA - LEVIER - LEVER (1/2 GAS)         |
| 2                      | 20141          | 1  | MANUBRIO - GUIDON - HANDLE (SX)      | 57                     | 20762          | 1  | CAVO - CABLE - CABLE                    |
| 3                      | 20592          | 1  | ALBERO - ARBRE - SHAFT               | 58                     | 21581          | 1  | INTERRUT. - INTERRUPT. - SWITCH         |
| 4                      | 20761          | 1  | CAVO - CABLE - CABLE                 | 59                     | 21582          | 1  | L-KIT: CAVO - CABLE - CABLE             |
| 5                      | 20593          | 1  | TUBO - TUYAU - TUBE (MOD. B)         | 60                     | 20351          | 2  | VITE - VIS - SCREW                      |
| 6                      | 20321          | 1  | FASCETTA - OEILLET - EYELET          | 61                     | 20435          | 3  | VITE - VIS - SCREW                      |
| 7                      | 20001          | 2  | VITE - VIS - SCREW                   | 62                     | 20001          | 2  | VITE - VIS - SCREW                      |
| 8                      | 20749          | 1  | GANCIO - CROCHET - HOOK              | 63                     | 20749          | 1  | GANCIO - CROCHET - HOOK                 |
| 9                      | 20060          | 2  | DADO - ECROU - NUT                   | 64                     | 20060          | 2  | DADO - ECROU - NUT                      |
| 10                     | 21557          | 1  | KIT: CAVO - CABLE - CABLE            | 65                     | 20745          | 1  | DELTA - POIGNEE - HANDLE                |
| 11                     | 20174          | 4  | VITE - VIS - SCREW                   | 66                     | 21236          | 1  | VITE - VIS - SCREW                      |
| 12                     | 20176          | 2  | DADO - ECROU - NUT                   | 67                     | 21138          | 3  | VITE - VIS - SCREW                      |
| 13                     | 20176          | 4  | DADO - ECROU - NUT                   | 68                     | 20726          | 1  | PROTEZIONE - PROTECTION - GUARD         |
| 14                     | 20678          | 1  | FASCETTA - OEILLET - EYELET          | 69                     | 20060          | 1  | DADO - ECROU - NUT                      |
| 15                     | 20174          | 2  | VITE - VIS - SCREW                   | 70                     | 20176          | 3  | DADO - ECROU - NUT                      |
| 16                     | 20677          | 1  | MOZZO - MOYEUR - HUB                 | 71                     | 20747          | 1  | DELTA COM. - POIGNEE COM. - COM. HANDLE |
| 17                     | 20636          | 1  | COPERCHIO - COUVERCLE - COVER        | 72                     | 20618          | 1  | SCAT. INGR. - COUP. CON. - BEVELGEAR    |
| 18                     | 20679          | 1  | MOZZO COM. - MOYEUR COM. - COMP. HUB | 73                     | 21592          | 1  | L-KIT: IMPUGN. - POIGNEE - HANDLE       |
| 19                     | 20061          | 1  | DADO - ECROU - NUT                   | 74                     | 21360          | 1  | DIFESA - CAPOT - GUARD (VERDE-GREEN)    |
| 20                     | 21550          | 1  | IMPUGNATURA - POIGNEE - HANDLE       | 74                     | 21362          | 1  | DIFESA - CAPOT - GUARD (ROSSA-RED)      |
| 21                     | 21556          | 1  | LEVA - LEVIER - LEVER (1/2 GAS)      | 74                     | 21361          | 1  | DIFESA - CAPOT - GUARD (NERA-BLACK)     |
| 22                     | 21551          | 1  | BOTTONE - BOUTON - KNOB              | 75                     | 20744          | 1  | ATTREZZI - OUTILS - TOOLS               |
| 23                     | 21555          | 1  | LEVA - LEVIER - LEVER                | 76                     | 20535          | 1  | CHIAVE CANDELA - SPLUG SPANNER          |
| 24                     | 21554          | 1  | LEVA GAS - LEVIER GAS - GAS LEVER    | 77                     | 20426          | 1  | CHIAVE - SPANNER (5)                    |
| 25                     | 21553          | 1  | INTERRUT. - INTERRUPT. - SWITCH      | 78                     | 20425          | 1  | CHIAVE - SPANNER (4)                    |
| 26                     | 20140          | 1  | MANUBRIO - GUIDON - HANDLE (DX)      | 79                     | 20872          | 1  | B-KIT:CAVO - CABLE - CABLE              |
| 27                     | 20169          | 1  | VITE - VIS - SCREW                   | 80                     | 20873          | 1  | L-KIT:CAVO - CABLE - CABLE              |
| 28                     | 20334          | 3  | VITE - VIS - SCREW                   | 81                     | 20060          | 1  | DADO - ECROU - NUT                      |
| 29                     | 21558          | 1  | B-KIT: IMPUG. - POIGNEE - HANDLE     | 82                     | 20860          | 1  | IMPUGNATURA - POIGNEE - HANDLE          |
| 30                     | 20168          | 2  | VITE - VIS - SCREW                   | 83                     | 20869          | 1  | MOLLA - RESSORT - SPRING                |
| 31                     | 20545          | 1  | FASCETTA - OEILLET - EYELET          | 84                     | 20867          | 1  | LEVA - LEVIER - LEVER (GAS)             |
| 32                     | 20675          | 1  | DISTANZIALE - ENTRETOISE - SPACER    | 85                     | 20868          | 1  | PERNO - PIVOT - PIN                     |
| 33                     | 20173          | 1  | VITE - VIS - SCREW                   | 86                     | 20866          | 1  | LEVA - LEVIER - LEVER                   |
| 34                     | 20364          | 1  | RONDELLA - RONDELLE - WASHER         | 87                     | 20864          | 1  | SUPPORTO - SUPPORT - BRACKET            |
| 35                     | 20047          | 2  | VITE - VIS - SCREW                   | 88                     | 20760          | 1  | INTERRUT. - INTERRUPT. - SWITCH         |
| 36                     | 20599          | 1  | SCAT. INGR. - COUP. CON. - BEVELGEAR | 89                     | 20877          | 3  | VITE - VIS - SCREW                      |
| 37                     | 20135          | 1  | COPPETTA - PROTECTION - GUARD        | 90                     | 20874          | 1  | BOTTONE - BOUTON - KNOB                 |
| 38                     | 20172          | 3  | VITE - VIS - SCREW                   | 91                     | 20762          | 1  | CAVO - CABLE - CABLE                    |
| 39                     | 20602          | 1  | DADO - ECROU - NUT (SX)              | 92                     | 20865          | 1  | LEVA - LEVIER - LEVER (1/2 GAS)         |
| 40                     | 20740          | 1  | FLANGIA - FLASQUE - FLANGE (LOWER)   | 93                     | 20171          | 1  | VITE - VIS - SCREW                      |
| 41                     | 20600          | 1  | FLANGIA - FLASQUE - FLANGE (UPPER)   | 94                     | 20002          | 1  | VITE - VIS - SCREW                      |
| 42                     | 20278          | 2  | RONDELLA - RONDELLE - WASHER         | 95                     | 20764          | 1  | L-KIT: CAVO - CABLE - CABLE             |
| 43                     | 20060          | 2  | DADO - ECROU - NUT                   | 96                     | 20140          | 1  | MANUBRIO - GUIDON - HANDLE (DX)         |
| 44                     | 21350          | 1  | DIFESA - CAPOT - GUARD (VERDE-GREEN) | 97                     | 20761          | 1  | CAVO - CABLE - CABLE                    |
| 44                     | 21352          | 1  | DIFESA - CAPOT - GUARD (ROSSA-RED)   | 98                     | 20763          | 1  | B-KIT:CAVO - CABLE - CABLE              |
| 44                     | 21351          | 1  | DIFESA - CAPOT - GUARD (NERA-BLACK)  | 99                     | 20863          | 1  | IMPUGNATURA - POIGNEE - HANDLE          |
| 45                     | 20547          | 1  | LAMETTA - COUTEAU - KNIFE            | 100                    | 20370          | 1  | ADESIVO - DECAL                         |
| 46                     | 20277          | 2  | VITE - VIS - SCREW                   | 101                    | 20517          | 1  | ADESIVO - DECAL                         |
| 47                     | 20546          | 2  | PIATTINA - RONDELLE - WASHER         | 102                    | 20543          | 1  | DIFESA - CAPOT - GUARD (VERDE-GREEN)    |
| 48                     | 20176          | 2  | DADO - ECROU - NUT                   | 102                    | 20685          | 1  | DIFESA - CAPOT - GUARD (ROSSA-RED)      |
| 49                     | 21623          | 1  | TUBO - TUYAU - TUBE (MOD. L)         | 102                    | 20684          | 1  | DIFESA - CAPOT - GUARD (NERA-BLACK)     |
| 50                     | 21551          | 1  | BOTTONE - BOUTON - KNOB              | 103                    | 20544          | 1  | SPOILER                                 |
| 51                     | 21580          | 1  | IMPUGNATURA - POIGNEE - HANDLE       | 104                    | 20626          | 1  | SPOILER COMPL.                          |
| 52                     | 21583          | 1  | LEVA - LEVIER - LEVER                | 105                    | 20548          | 1  | DIFESA - CAPOT - GUARD (VERDE-GREEN)    |
| 53                     | 20868          | 1  | PERNO - PIVOT - PIN                  | 105                    | 20696          | 1  | DIFESA - CAPOT - GUARD (ROSSA-RED)      |
| 54                     | 20869          | 1  | MOLLA - RESSORT - SPRING             | 105                    | 20695          | 1  | DIFESA - CAPOT - GUARD (NERA-BLACK)     |
| 55                     | 20867          | 1  | LEVA GAS - GAS LEVIER - GAS LEVER    | 106                    |                |    |   |



**COPPIA CONICA - RENVOI D'ANGLE - BEVEL GEAR GR. 4/B****ACTIVE COD. 20599 - (ACTIVE 3.5 - 4.0 / L - B)**

| <b>RIF.</b> | <b>COD.</b>  |           | <b>DESCRIZIONE</b>                            |
|-------------|--------------|-----------|---|
| <b>REF.</b> | <b>P/N°</b>  | <b>Q.</b> | <b>DESCRIPTION</b>                            |
| 1           | <b>20900</b> | 1         | ANELLO ELAS. - CIRCLIP - SNAP RING            |
| 2           | <b>20901</b> | 1         | ANELLO ELAS. - CIRCLIP - SNAP RING            |
| 3           | <b>20902</b> | 1         | CUSCINETTO - ROULEMENT - BEARING              |
| 4           | <b>20903</b> | 1         | CUSCINETTO - ROULEMENT - BEARING              |
| 5           | <b>20907</b> | 1         | PIGN.+COR. - PIGN.+COUR. - BEVEL PINION+CROWN |
| 6           | <b>20223</b> | 1         | TAPPO - BOUCHON - PLUG                        |
| 7           | <b>20224</b> | 1         | RONDELLA - RONDELLE - WASHER                  |
| 8           | <b>20904</b> | 1         | SCATOLA - CARTER - HOUSING                    |
| 9           | <b>20905</b> | 1         | CUSCINETTO - ROULEMENT - BEARING              |
| 10          |              |           |   |
| 11          | <b>20909</b> | 1         | ALBERO - ARBRE - SHAFT                        |
| 12          | <b>20641</b> | 1         | CUSCINETTO - ROULEMENT - BEARING              |
| 13          | <b>20229</b> | 1         | ANELLO ELAS. - CIRCLIP - SNAP RING            |
| 14          | <b>20910</b> | 1         | DISTANZIALE - ENTRETOISE - SPACER             |
| 15          | <b>20906</b> | 1         | ANELLO TENUTA - JOINT - SEAL                  |