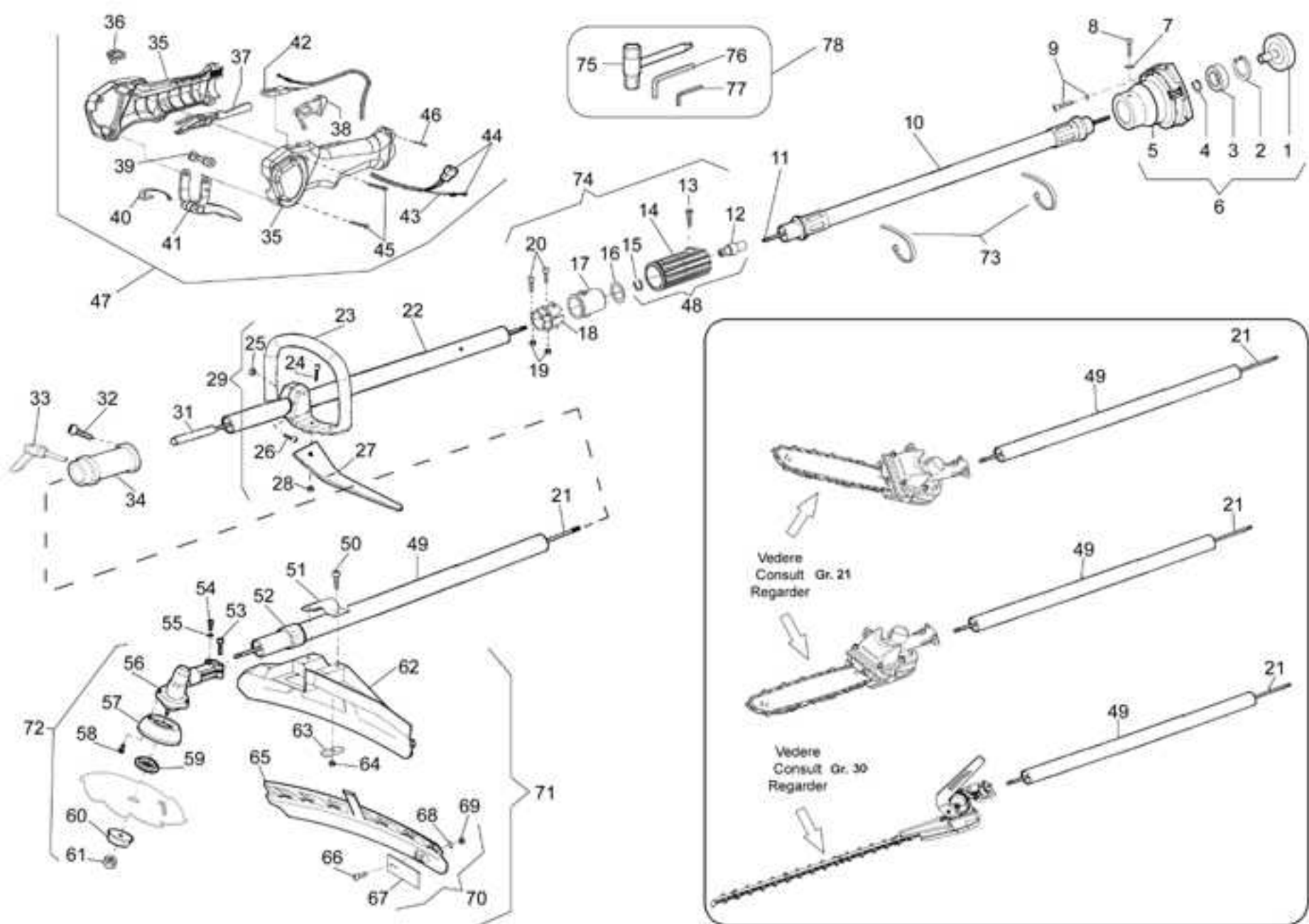


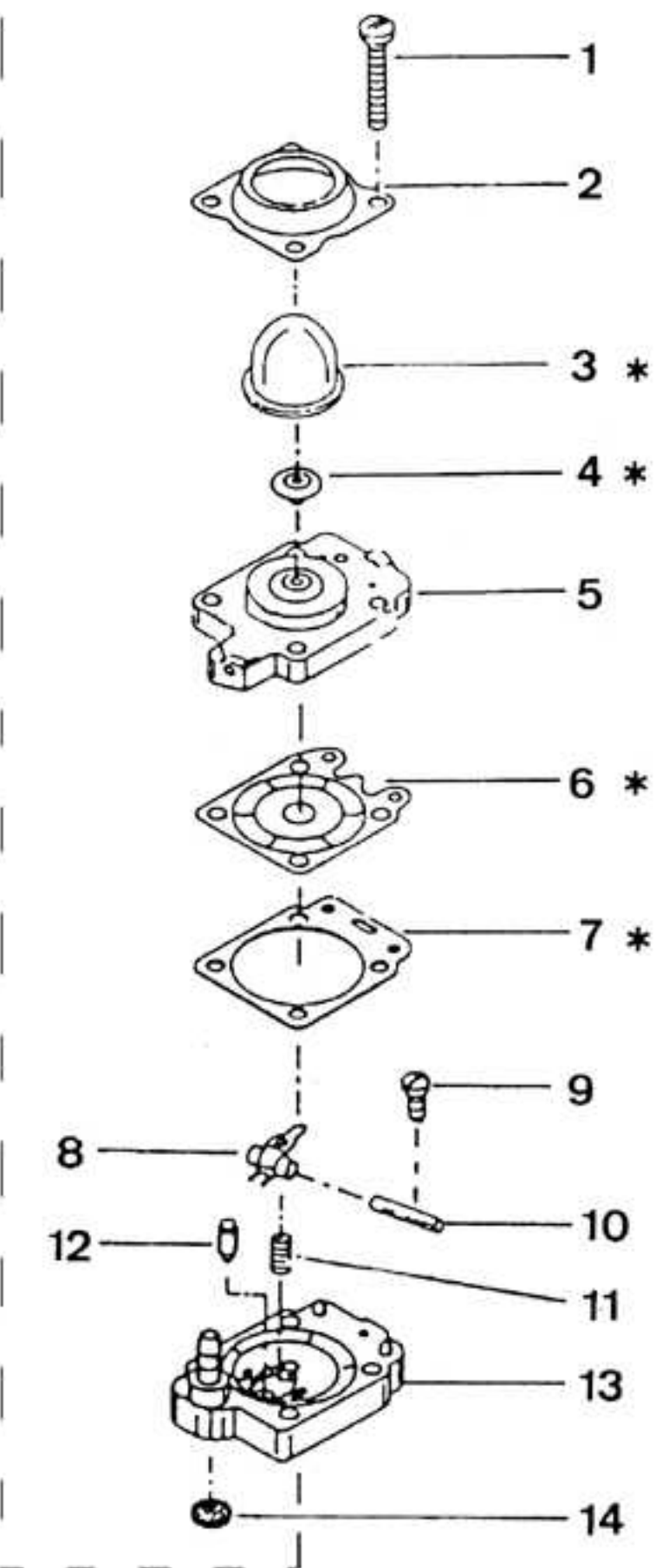
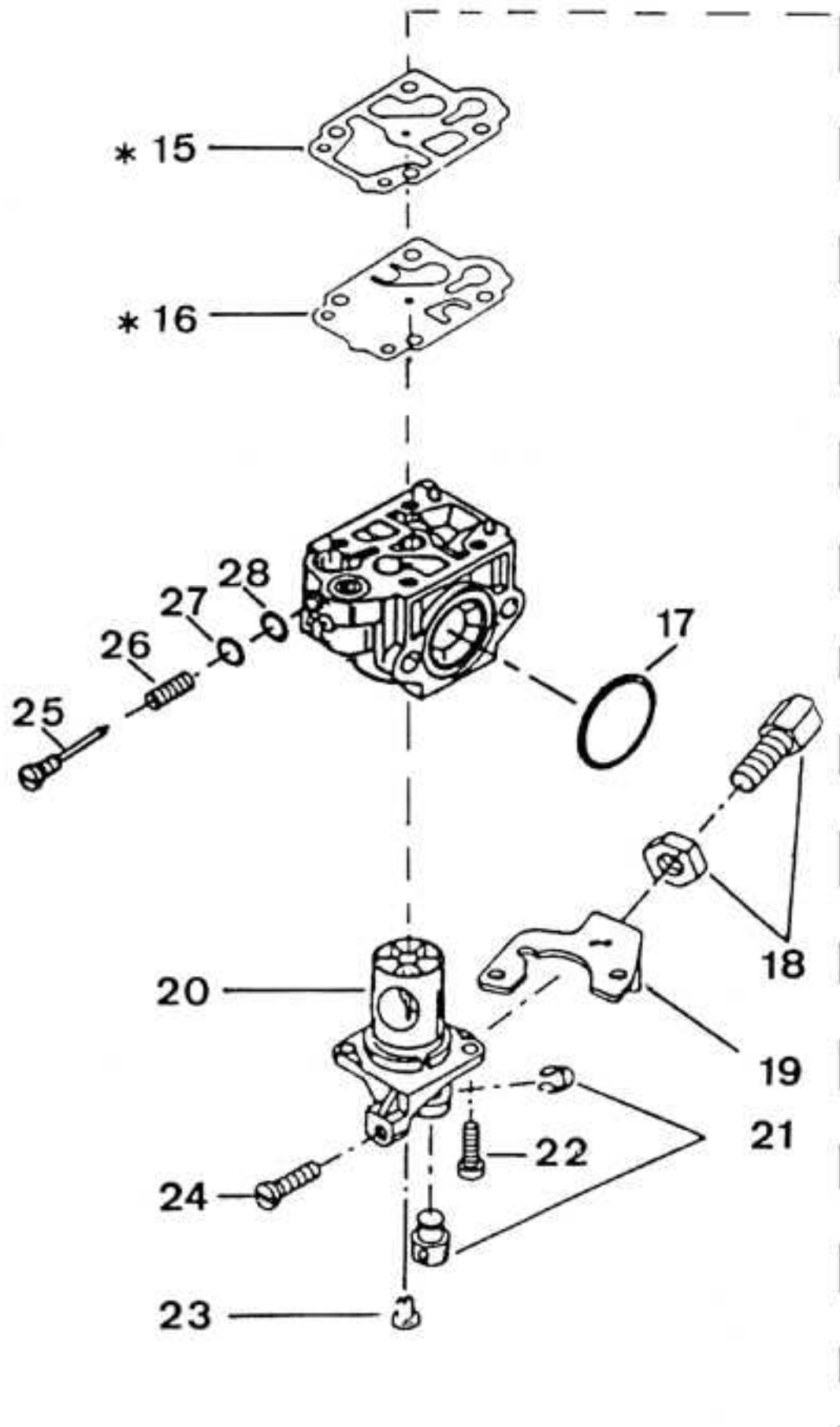
MOTORE - MOTEUR - ENGINE (ACTIVE 4.5 - 5.5) GR. 3

| RIF. | COD. | Q. | DESCRIZIONE - DESCRIPTION | RIF. | COD. | Q. | DESCRIZIONE - DESCRIPTION |
|------|------------------|----|---|------|------------------|----|---------------------------------------|
| REF. | N° / P P / N° | | | REF. | N° / P P / N° | | |
| 1 | 20001 | 3 | VITE - VIS - SCREW | 54 | 20060 | 2 | DADO - ECROU - NUT |
| 2 | 20366 | 1 | VITE - VIS - SCREW | 55 | 20046 | 1 | FLANGIA TER.-FLASQUE THER.-INSULAT. |
| 3 | 20580 | 1 | CARTER - CRANKCASE | 56 | 20037 | 2 | RONDELLA - RONDELLE - WASHER |
| 4 | 20083 | 4 | GOMMINO - SUPPORT - RUBBER | 57 | 20021 | 2 | RONDELLA - RONDELLE - WASHER |
| 5 | 20068 | 2 | VITE - VIS - SCREW | 58 | 20366 | 2 | VITE - VIS - SCREW |
| 6 | 20069 | 2 | RONDELLA - RONDELLE - WASHER | 59 | 20048 | 1 | GUARNIZIONE - JOINT - GASKET |
| 7 | 20065 | 1 | FRIZIONE - EMBRAYAGE - CLUTCH | 60 | 20643 | 1 | CARBURAT.-CARBURAT.-CARBURET. |
| 8 | 20067 | 1 | MOLLA - RESSORT - SPRING | 61 | 20037 | 2 | RONDELLA - RONDELLE - WASHER |
| 9 | 20049 | 2 | PATTINO - MACHOIRE - SHOE | 62 | 20021 | 2 | RONDELLA - RONDELLE - WASHER |
| 10 | 20070 | 2 | RONDELLA - RONDELLE - WASHER | 63 | 20079 | 2 | VITE - VIS - SCREW |
| 11 | 20058 | 2 | DADO - ECROU - NUT | 64 | 20559 | 1 | FILTRO - FILTRE - FILTER |
| 12 | 20039 | 1 | VOLANO - VOLANT - FLYWHEEL | 65 | 20429 | 1 | DADO - ECROU - NUT |
| 13 | 20003 | 2 | ANELLO DI TENUTA -JOINT - SEAL | 66 | 20562 | 1 | SUPPORTO - SUPPORT - BRAKET |
| 14 | 20002 | 4 | VITE - VIS - SCREW | 67 | 20563 | 1 | GRIGLIA - GRILLE - SCREEN |
| 15 | 20004 | 2 | CUSCINETTO-ROULEMENT-BEARING | 68 | 20564 | 1 | ELEMEMTO - ELEMENT - PIECE |
| 16 | 21001 | 1 | ALB.MOT.-VILEBREQUIN-CRANKSHAFT | 69 | 20564 | 1 | ELEMEMTO - ELEMENT - PIECE |
| 17 | 20026 | 1 | CUSCINETTO-ROULEMENT-BEARING | 70 | 20566 | 1 | O.R. |
| 18 | 20956 | 1 | TRASCINATORE-CLIQUET-DRIVER | 71 | 20567 | 1 | COPERCHIO - COUVERCLE - COVER |
| 19 | 20087 | 2 | ANELLO ELST.-CIRCLIP-SNAPRING | 72 | 20568 | 1 | RONDELLA - RONDELLE - WASHER |
| 20 | 20084 | 2 | MOLLA - RESSORT - SPRING | 73 | 20172 | 1 | VITE - VIS - SCREW |
| 21 | 20085 | 2 | CRICCHETTO - CLIQUET . - PAWL | 74 | 21222 | 1 | FLANGIA - FLASQUE - FLANGE |
| 22 | 20074 | 1 | AVVIAMENTO - LANCEUR - STARTER | 75 | 20665 | 1 | GUARNIZIONE - JOINT - GASKET |
| 23 | 20076 | 1 | VITE - VIS - SCREW | 76 | | | |
| 24 | 20077 | 1 | RONDELLA - RONDELLE - WASHER | 77 | | | |
| 25 | 20055 | 1 | PULEGGIA - POULIE - PULLEY | 78 | 20570 | 1 | SERBATOIO-RESERVOIR-FUEL TANK |
| 26 | 20078 | 1 | CORDA - CORDE - ROPE | 79 | 20094 | 1 | TAPPO COMPL.-BOUCHON-FUEL CAP |
| 27 | 20075 | 1 | MOLLA - RESSORT - SPRING | 80 | 20095 | 1 | GUARNIZIONE-JOINT-GASKET |
| 28 | 20059 | 1 | SCATOLA - CARTER - HOUSING | 81 | 20097 | 1 | TUBO CARB.-TUYAUCARB.-INLETPipe |
| 29 | 20081 | 1 | IMPUGNATURA - POIGNEE - HANDLE | 82 | 20100 | 1 | SFIATO - RENIFLAR - BREATHER |
| 30 | 20366 | 2 | VITE - VIS - SCREW | 83 | 20091 | 1 | TUBO RECUP-TUYAU RET.-OVERF.Pipe |
| 31 | 20359 | 2 | VITE - VIS - SCREW | 84 | 20099 | 1 | PASSATUBI-OEILLET-GRUMMET |
| 32 | 20457 | 1 | PIEDINO - SUPPORT - BRAKET | 85 | 20093 | 1 | FILTRO - FILTRE - FILTER |
| 33 | 20173 | 2 | VITE - VIS - SCREW | 86 | 20391 | 1 | SERBATOIO-RESERVOIR-FUEL TANK |
| 34 | 20018 | 1 | PISTONE - PISTON Ø 40MM.(4.3 - 4.5) | 87 | 20571 | 1 | PIPETTA-CACHE BOUGIE-S.P.COVER |
| 34 | 20023 | 1 | PISTONE - PISTON Ø 44MM.(5.2 - 5.5) | 88 | 20572 | 1 | COPR.CAND.-C.BOUGIE-S.P.COVER |
| 35 | 20020 | 2 | ANELLO ELAST.-CIRCLIP-SNAPRING | 89 | 20573 | 1 | PROTEZIONE-CACHE-GUARD |
| 36 | 20019 | 2 | SEGMENTO-SEGMENT-RING Ø40MM. | 90 | 20574 | 1 | MOLLA - RESSORT - SPRING |
| 36 | 20024 | 2 | SEGMENTO-SEGMENT-RING Ø44MM. | 91 | 20575 | 1 | BOBINA - BOBINE - COIL |
| 37 | 20015 | 1 | GUARNIZIONE - JOINT - GASKET | 92 | 21346 | 1 | FILO - FIL - WIRE |
| 38 | 20012 | 1 | CIL.+PIS. - CYL.+PIS. (40 mm - 4.3 / 4.5) | 93 | 20366 | 2 | VITE - VIS - SCREW |
| 38 | 20013 | 1 | CIL.+PIS. - CYL.+PIS. (44 mm - 5.2 / 5.5) | 94 | 20037 | 4 | RONDELLA - RONDELLE - WASHER |
| 39 | 20581 | 1 | GUARNIZIONE - JOINT - GASKET | 95 | 20576 | 1 | SHORT BLOCK Ø 40mm. (4.3 - 4.5) |
| 40 | 20101 | 1 | MARMITTA-POT D'ECHAPP.-MUFFLER | 95 | 20577 | 1 | SHORT BLOCK Ø 44mm. (5.2 - 5.5) |
| 41 | 20896 | 2 | RONDELLA - RONDELLE - WASHER | 96 | 20578 | 1 | KIT GUARNIZIONI-JOINTS-GASKETS |
| 42 | 20278 | 2 | RONDELLA - RONDELLE - WASHER | 97 | 20088 | 1 | DECAL ACTIVE |
| 43 | 20022 | 2 | VITE - VIS - SCREW | 98 | 20045 | 1 | DECAL BIG 4.5 |
| 44 | 20277 | 1 | VITE - VIS - SCREW | 99 | 20579 | 1 | DECAL BIG 5.5 |
| 45 | 20582 | 1 | LAMIERINO - SEPARATEUR - SHEET | 100 | 20042 | 1 | TUBI MIX+VALV.+FILTRO-ENSEMBLE-KIT |
| 46 | 20060 | 1 | DADO - ECROU - NUT | 101 | 20311 | 1 | 50ml.FRENA FIL.-FIX. FILETS-RETAINING |
| 47 | 20359 | 1 | VITE - VIS - SCREW | 102 | 20527 | 1 | SUPPORTO - SUPPORT - BRAKET |
| 48 | 20583 | 1 | COFANO-CAPOT-ENG.COVER(GREEN) | 103 | 20982 | 1 | DADO - ECROU - NUT |
| 48 | 20584 | 1 | COFANO-CAPOT-ENG.COVER(RED) | 104 | 20030 | 1 | GUARNIZIONE-JOINT-GASKET |
| 49 | 20044 | 1 | VITE - VIS - SCREW | | | | |
| 50 | 20586 | 1 | PASSA CAVO-OEILLET-EYELET | | | | |
| 51 | 20359 | 4 | VITE - VIS - SCREW | | | | |
| 52 | 20770 | 1 | CANDELA - BOUGIE - SPARK PLUG | | | | |
| 53 | 20344 | 1 | GUARNIZIONE - JOINT - GASKET | | | | |



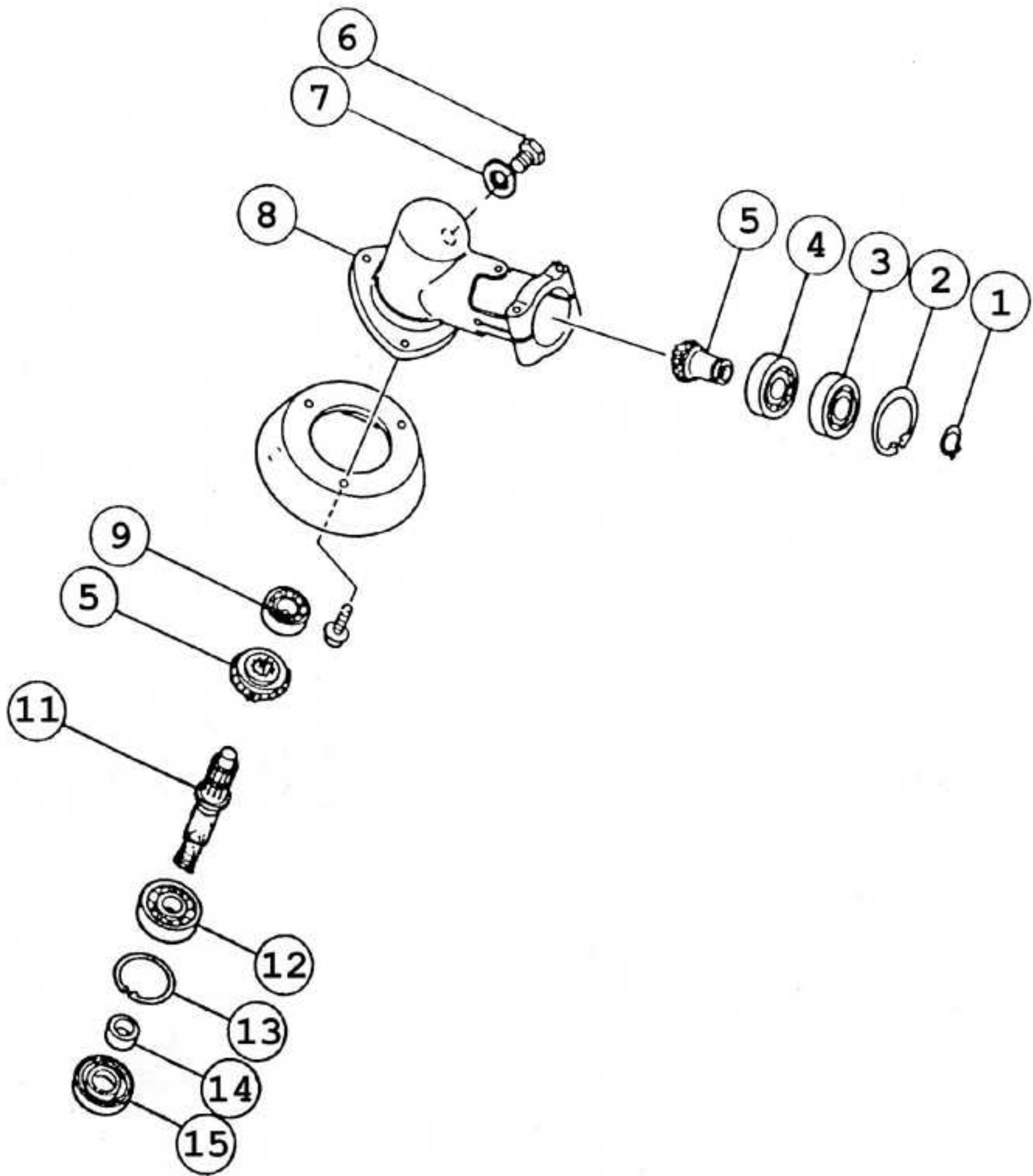
TRASMISSIONE Z - TRANSMISSION Z (BIG 4.5Z - BIG 5.5Z) GR.20

| RIF | COD | Q | DESCRIZIONE - DESCRIPTION | RIF | COD | Q | DESCRIZIONE - DESCRIPTION |
|-----|-----------------|---|--|-----|-----------------|---|---------------------------------------|
| REF | N° / P P / N | | | REF | N° / P P / N | | |
| 1 | 20326 | 1 | CAMPANA-TAMBOUR-DRUM | 56 | 20599 | 1 | SCAT. INGR. - COUP. CON. - BEVELGEAR |
| 2 | 20121 | 1 | SEEGER - CIRCLIP - SNAP RING | 57 | 20135 | 1 | COPPETTA - CAPOT - GUARD |
| 3 | 20122 | 1 | CUSCINETTO-ROULEMENT-BEARING | 58 | 20172 | 3 | VITE - VIS - SCREW |
| 4 | 20123 | 1 | SEEGER - CIRCLIP - SNAP RING | 59 | 20600 | 1 | FLANGIA - FLASQUE - FLANGE |
| 5 | 20327 | 1 | CARTER - HOUSING (VERDE-GREEN) | 60 | 20740 | 1 | FLANGIA - FLASQUE - FLANGE |
| 5 | 20610 | 1 | CARTER - HOUSING (ROSSO - RED) | 61 | 20602 | 1 | DADO - ECROU - NUT |
| 6 | 20603 | 1 | CUFFIA-CARTER-HOUSING(VERDE-GREEN) | 62 | 20543 | 1 | DIFESA-CAPOT-GUARD (VERDE-GREEN) |
| 6 | 20609 | 1 | CUFFIA-CARTER-HOUSING(ROSSO-RED) | 62 | 20684 | 1 | DIFESA-CAPOT-GUARD (NERA-BLACK) |
| 7 | 20191 | 1 | RONDELLA-RONDELLE-WASHER | 62 | 20685 | 1 | DIFESA-CAPOT-GUARD (ROSSO-RED) |
| 8 | 20178 | 1 | VITE - VIS - SCREW | 63 | 20546 | 2 | PIASTRINA - RONDELLE - WASHER |
| 9 | 20890 | 1 | VITE - VIS - SCREW | 64 | 20176 | 2 | DADO - ECROU - NUT |
| 10 | 20332 | 1 | FLESSIBILE - FLEXIBLE | 65 | 20544 | 1 | SPOILER |
| 11 | 20333 | 1 | ALB. FLESSIBILE-FLEX. INT. - FLEX. SHAFT | 66 | 20277 | 2 | VITE - VIS - SCREW |
| 12 | 21539 | 1 | PERNO - PIVOT - PIN | 67 | 20547 | 1 | LAMETTA - COUTEAU - KNIFE |
| 13 | 21615 | 1 | VITE - VIS - SCREW | 68 | 20278 | 2 | RONDELLA - RONDELLE - WASHER |
| 14 | 21531 | 1 | MANICOTTO-MANCHON-SLEEVE | 69 | 20060 | 2 | DADO - ECROU - NUT |
| 15 | 20218 | 1 | SEEGER - CIRCLIP - SNAP RING | 70 | 20629 | 1 | SPOILER COMPLETO |
| 16 | 20515 | 1 | RASAMENTO - RONDELLE - WASHER | 71 | 20548 | 1 | DIFESA-CAPOT-GUARD (VERDE-GREEN) |
| 17 | 21305 | 1 | ANTIVIBRANTE-AMORTIS-SHOCK ABS. | 71 | 20695 | 1 | DIFESA-CAPOT-GUARD (NERA-BLACK) |
| 18 | 21299 | 1 | MOZZO - MOYEUX - HUB | 71 | 20696 | 1 | DIFESA-CAPOT-GUARD (ROSSO-RED) |
| 19 | 20060 | 2 | DADO - ECROU - NUT | 72 | 20618 | 1 | KIT: COPP. CON. - COUP. CON - BEVELG. |
| 20 | 20047 | 2 | VITE - VIS - SCREW | 73 | 20331 | 2 | FASCETTA - COLLIER - CLAMP |
| 21 | 21257 | 1 | ALBERO - ARBRE - SHAFT | 74 | 21642 | 1 | KIT: MANICOTTO-MANCHON-SLEEVE |
| 22 | 20954 | 1 | TUBO - TUBE - PIPE | 75 | 20535 | 1 | CHIAVE CANDELA - PLUG SPANNER |
| 23 | 20745 | 1 | IMPUGNATURA - POIGNEE - HANDLE | 76 | 20426 | 1 | BRUGOLA 5 - SPANNER 5 |
| 24 | 21236 | 1 | VITE - VIS - SCREW | 77 | 20425 | 1 | BRUGOLA 4 - SPANNER 4 |
| 25 | 20176 | 3 | DADO - ECROU - NUT | 78 | 20744 | 1 | KIT: ATTREZZI - OUTILS - TOOLS |
| 26 | 21138 | 3 | VITE - VIS - SCREW | | | | |
| 27 | 20726 | 1 | PROTEZIONE-PROTECTION-GUARD | | | | |
| 28 | 20060 | 1 | DADO - ECROU - NUT | | | | |
| 29 | 20747 | 1 | IMPUGNATURA - POIGNEE - HANDLE | | | | |
| 30 | | | | | | | |
| 31 | 21640 | 1 | ALBERO - ARBRE - SHAFT | | | | |
| 32 | 20168 | 1 | VITE - VIS - SCREW | | | | |
| 33 | 20340 | 1 | LEVA - LEVIER - LEVER | | | | |
| 34 | 21369 | 1 | RACCORDO - MANCHON - SLEEVE | | | | |
| 35 | 21580 | 1 | IMPUGNATURA - POIGNEE - HANDLE | | | | |
| 36 | 21551 | 1 | BOTTONE - BOUTON - KNOB | | | | |
| 37 | 21583 | 1 | LEVA - LEVIER - LEVER | | | | |
| 38 | 21584 | 1 | LEVA - LEVIER - LEVER (1/2 GAS) | | | | |
| 39 | 20868 | 1 | PERNO - PIVOT - PIN | | | | |
| 40 | 20869 | 1 | MOLLA - RESSORT - SPRING | | | | |
| 41 | 20867 | 1 | LEVA - LEVIER - LEVER (GAS) | | | | |
| 42 | 21573 | 1 | INTERRUTTORE - INTERR. - SWITCH | | | | |
| 43 | 20882 | 1 | CAVO - CABLE ACC. - GAS CABLE | | | | |
| 44 | 21587 | 1 | KIT: CAVO COMP. - COMPL. CABLE | | | | |
| 45 | 20435 | 3 | VITE - VIS - SCREW | | | | |
| 46 | 20351 | 3 | VITE - VIS - SCREW | | | | |
| 47 | 21641 | 1 | KIT: IMPUGN. - POIGNEE - HANDLE | | | | |
| 48 | 21532 | 1 | MANICOTTO-MANCHON-SLEEVE | | | | |
| 49 | 21258 | 1 | TUBO - TUBE - PIPE | | | | |
| 50 | 20168 | 2 | VITE - VIS - SCREW | | | | |
| 51 | 20545 | 1 | SUPPORTO - SUPPORT - MOUNTING | | | | |
| 52 | 20675 | 1 | BOCCOLA - BAGUE - BUSH | | | | |
| 53 | 20047 | 2 | VITE - VIS - SCREW | | | | |
| 54 | 20173 | 1 | VITE - VIS - SCREW | | | | |
| 55 | 20364 | 1 | RONDELLA-RONDELLE-WASHER | | | | |



CARBURATORE - CARBURATEUR - CARBURETOR GR. 10**Ref. 20643**

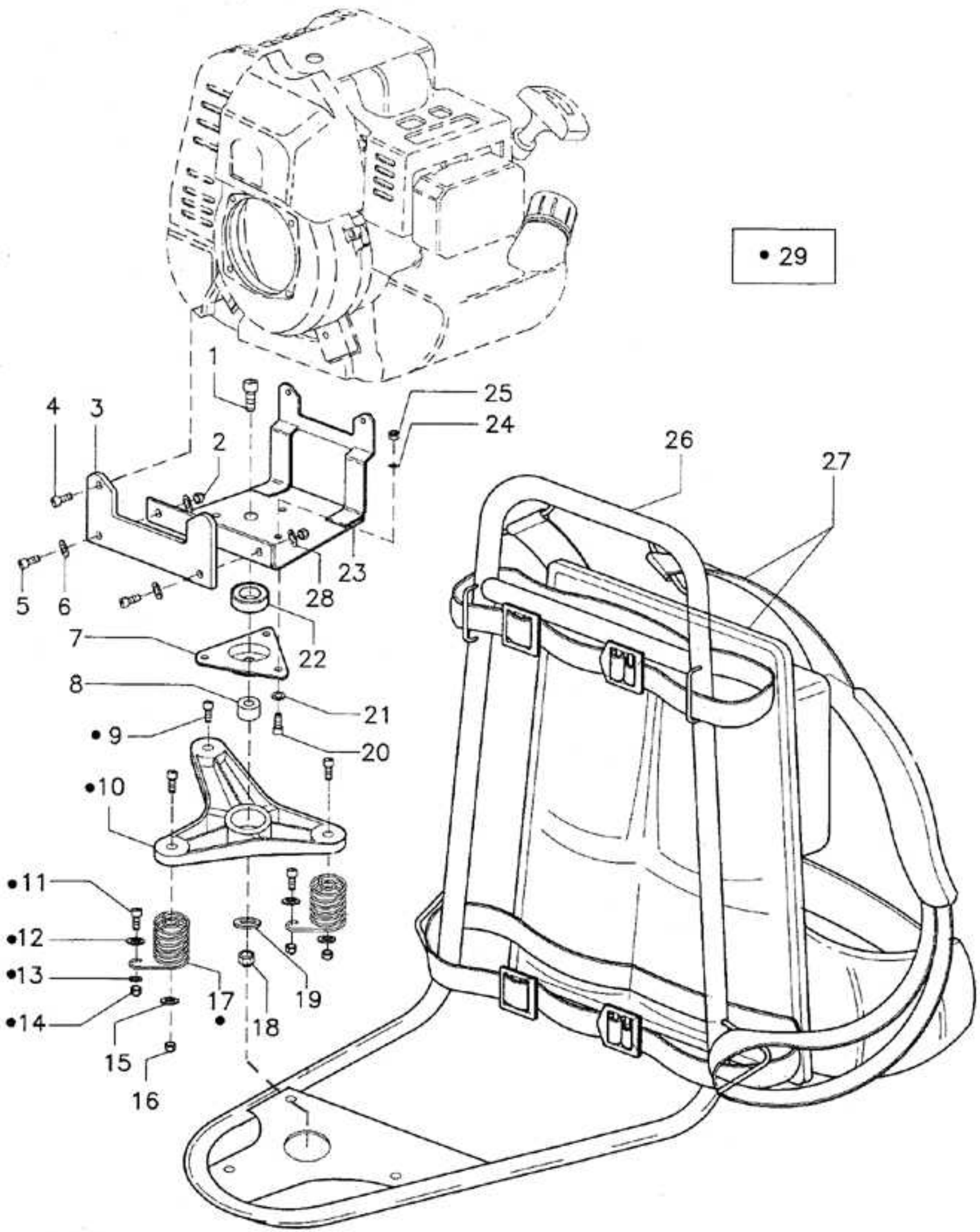
| RIF. | COD. | |
|-------------|----------------|--------------------------------------|
| | N° / P. | DESCRIZIONE - DESCRIPTION |
| REF. | P / N°. | |
| 1 | 20232 | VITE - VIS - SCREW |
| 2 | 20233 | COPERCHIO - COUVERCLE - COVER |
| 3 | 20234 | BULBO - BULBE - PRIMER |
| 4 | 20235 | VALVOLA - CLAPET - VALVE |
| 5 | 20236 | CORPO VAL. - FLASQUE - VALVE BODY |
| 6 | 20237 | MEMBRANA - MEMBRANE - DIAPHRAGM |
| 7 | 20238 | GUARNIZIONE - JOINT - GASKET |
| 8 | 20239 | LEVA - LEVIER - LEVER |
| 9 | 20240 | VITE - VIS - SCREW |
| 10 | 20241 | PERNO - AXE - PIN |
| 11 | 20242 | MOLLA - RESSORT - SPRING |
| 12 | 20243 | SPILLO - POINTEAU - NEEDLE |
| 13 | 20244 | CORPO POMPA - FLASQUE - PUMP BODY |
| 14 | 20245 | FILTRO - FILTRE - FILTER |
| 15 | 20246 | MEMBRANA - MEMBRANE - DIAPHRAGM |
| 16 | 20247 | GUARNIZIONE - JOINT - GASKET |
| 17 | 20248 | O.R. |
| 18 | 20249 | VITE - VIS - SCREW |
| 19 | 20250 | SUPPORTO - SUPPORT - BRACKET |
| 20 | 20251 | VALVOLA - CLAPET - VALVE ASS'Y |
| 21 | 20252 | PERNO - PIVOT - SWIVEL |
| 22 | 20253 | VITE - VIS - SCREW |
| 23 | 20254 | TAPPO - BOUCHON - PLUG |
| 24 | 20255 | VITE - VIS - SCREW |
| 25 | 20256 | VITE - VIS - SCREW |
| 26 | 20257 | MOLLA - RESSORT - SPRING |
| 27 | 20258 | ROSETTA - RONDELLE - WASHER |
| 28 | 20259 | O.R. |
| 29 | 20589 | KIT MEMBRANE - KIT MEM. - DIAPH. KIT |



COPPIA CONICA - RENVOI D'ANGLE - BEVEL GEAR GR. 4/B**ACTIVE COD. 20599 - (MOD. ACTIVE BIG 4.5Z - BIG 5.5Z - GRIFFE 5.4)**

| RIF. | COD. | DESCRIZIONE |
|-------------|--------------|---|
| REF. | P/N° | DESCRIPTION |
| 1 | 20900 | ANELLO ELAS. - CIRCLIP - SNAP RING |
| 2 | 20901 | ANELLO ELAS. - CIRCLIP - SNAP RING |
| 3 | 20902 | CUSCINETTO - ROULEMENT - BEARING |
| 4 | 20903 | CUSCINETTO - ROULEMENT - BEARING |
| 5 | 20907 | PIGN.+COR. - PIGN.+COUR. - BEVEL PINION+CROWN |
| 6 | 20223 | TAPPO - BOUCHON - PLUG |
| 7 | 20224 | RONDELLA - RONDELLE - WASHER |
| 8 | 20904 | SCATOLA - CARTER - HOUSING |
| 9 | 20905 | CUSCINETTO - ROULEMENT - BEARING |
| 10 | | |
| 11 | 20909 | ALBERO - ARBRE - SHAFT |
| 12 | 20641 | CUSCINETTO - ROULEMENT - BEARING |
| 13 | 20229 | ANELLO ELAS. - CIRCLIP - SNAP RING |
| 14 | 20910 | DISTANZIALE - ENTRETOISE - SPACER |
| 15 | 20906 | ANELLO TENUTA - JOINT - SEAL |

• 29



| RIF. REF. | COD. N° / P P / N° | DESCRIZIONE - DESCRIPTION | RIF. REF. | COD. N° / P P / N° | DESCRIZIONE - DESCRIPTION |
|--------------|--------------------------|-----------------------------------|--------------|--------------------------|--|
| 1 | 20628 | VITE - VIS - SCREW | 18 | 20317 | DADO - ECROU - NUT |
| 2 | 20176 | DADO - ECROU - NUT | 19 | 20318 | RONDELLA - RONDELLE - WASHER |
| 3 | 20627 | FLANGIA - FLASQUE - FLANGE | 20 | 20277 | VITE - VIS - SCREW |
| 4 | 20366 | VITE - VIS - SCREW | 21 | 20278 | RONDELLA - RONDELLE - WASHER |
| 5 | 20178 | VITE - VIS - SCREW | 22 | 20613 | CUSCINETTO - ROULEMENT - BEARING |
| 6 | 20191 | RONDELLA - RONDELLE - WASHER | 23 | 20626 | SUPPORTO - SUPPORT - BRACKET |
| 7 | 20625 | SUPPORTO - SUPPORT - BRACKET | 24 | 20278 | RONDELLA - RONDELLE - WASHER |
| 8 | 20624 | DISTANZIALE - ENTRETOISE - SPACER | 25 | 20060 | DADO - ECROU - NUT |
| 9 | 20001 | VITE - VIS - SCREW | 26 | 20587 | TELAIO-CHASSIS-FRAME |
| 10 | 20314 | SUPPORTO - SUPPORT - BRACKET | 27 | 20588 | CINGHIAGGIO - HARNAIS - HARNESS |
| 11 | 20064 | VITE - VIS - SCREW | 28 | 20191 | RONDELLA - RONDELLE - WASHER |
| 12 | 20316 | RONDELLA - RONDELLE - WASHER | 29 | 20476 | SUPP. COMP. - SUPP. COM. - COMP. BRAK. |
| 13 | 20278 | RONDELLA - RONDELLE - WASHER | | | |
| 14 | 20060 | DADO - ECROU - NUT | | | |
| 15 | 20316 | RONDELLA - RONDELLE - WASHER | | | |
| 16 | 20060 | DADO - ECROU - NUT | | | |
| 17 | 20315 | MOLLA - RESSORT - SPRING | | | |