

▲ - 96
● - 102

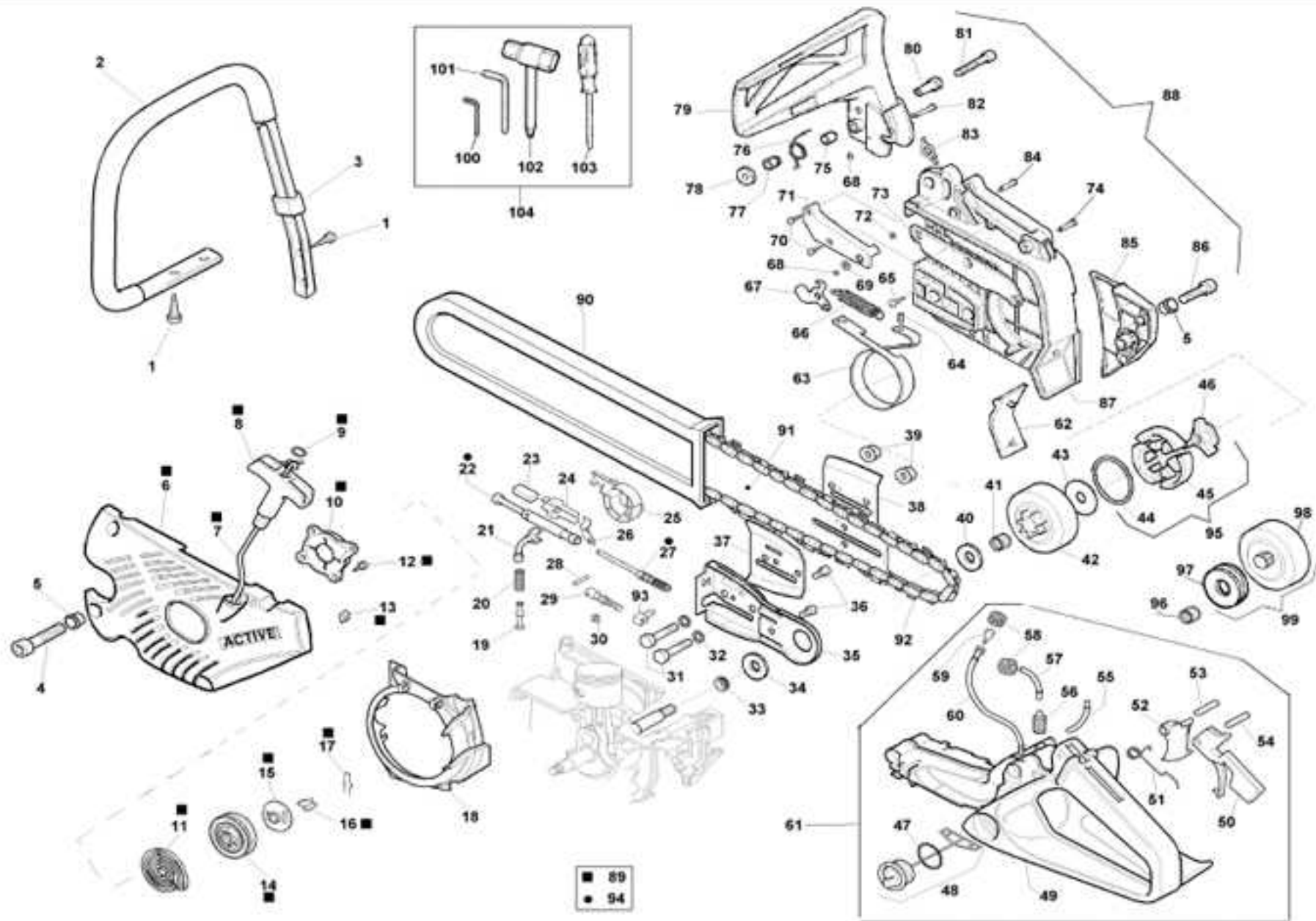
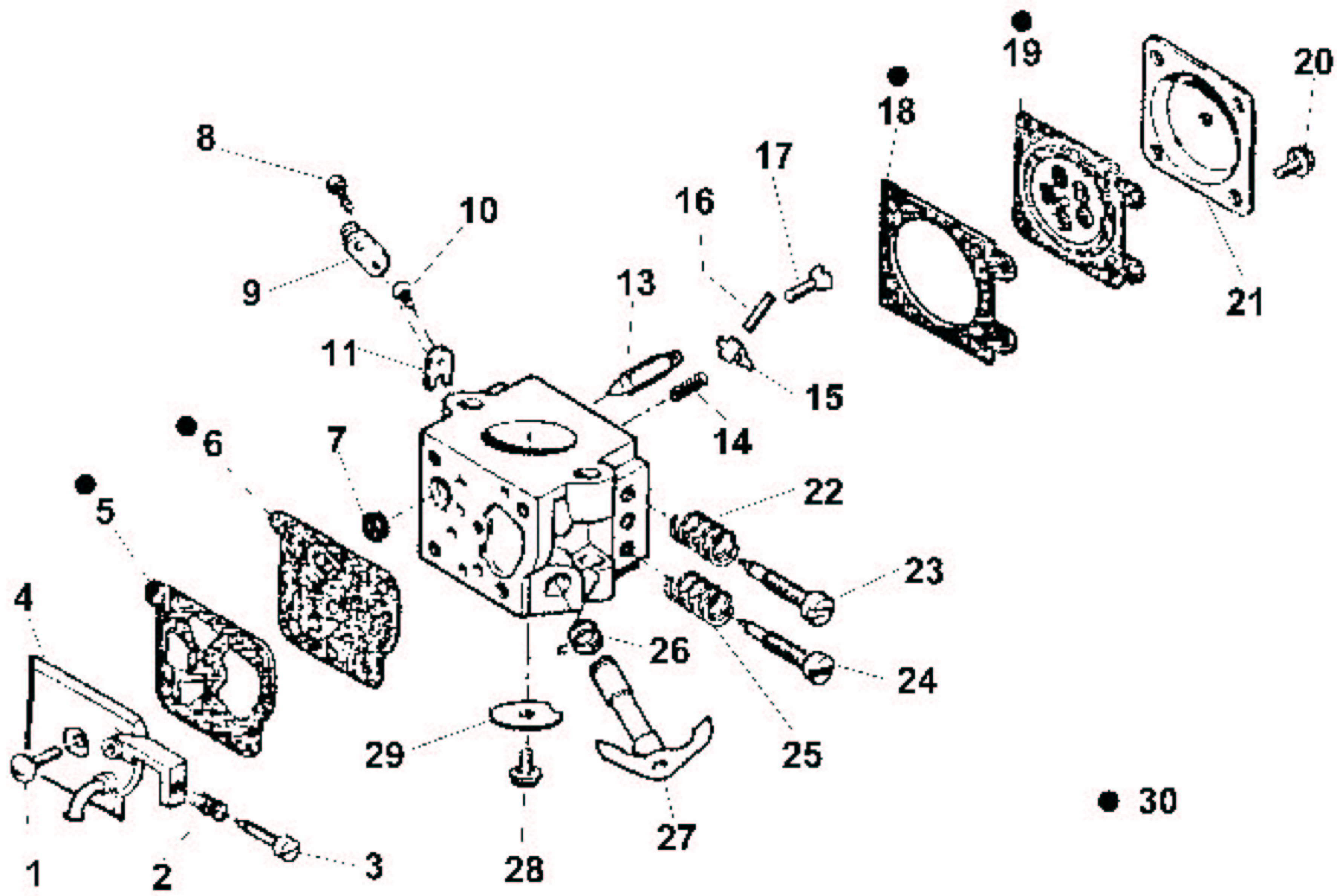


TAVOLA 2 - TABLEAU 2 - TABLE 2

| RIF | COD | Q | DESCRIZIONE - DESCRIPTION | RIF | COD | Q | DESCRIZIONE - DESCRIPTION |
|-----|-----------------|---|--|-----|-----------------|---|--|
| REF | N° / P P / N | | | REF | N° / P P / N | | |
| 1 | 35065 | 4 | VITE - VIS - SCREW | 59 | 20100 | 1 | SFIATO - SOUPAPA - VALVE |
| 2 | 35654 | 1 | MANICO - POIGNEE - HANDLE | 60 | 35163 | 1 | TUBO - TUBE - PIPE |
| 3 | 35687 | 1 | GOMMINO - OEILLET - EYELET | 61 | 35822 | 1 | SERBAT. - RESERV. - TANK (Verde-Green) |
| 4 | 35803 | 3 | VITE - VIS - SCREW | | 35959 | 1 | SERBAT. - RESERV. - TANK (Rosso-Red) |
| 5 | 35656 | 3 | BOCCOLA - ENTRETOISE - SPACER | 62 | 35451 | 1 | PROTEZIONE - PROTECTION - GUARD |
| 6 | 35799 | 1 | CARTER (Verde - Green) | 63 | 35398 | 1 | NASTRO - RUBAN - TAPE |
| | 35950 | 1 | CARTER (Rosso - Red) | 64 | 35092 | 1 | SPINA - PIVOT - PIN |
| 7 | 35215 | 1 | CORDA - CORDE - ROPE | 65 | 35510 | 3 | VITE - VIS - SCREW |
| 8 | 35444 | 1 | IMPUGNATURA - POIGNEE - HANDLE | 66 | 35396 | 1 | MOLLA - RESSORT - SPRING |
| 9 | 20278 | 2 | RONDELLA - RONDELLE - WASHER | 67 | 35399 | 1 | LEVA 1 - LEVIER 1 - LEVER 1 |
| 10 | 35086 | 1 | SUPPORTO - SUPPORT - BRACKET | 68 | 35593 | 1 | SEEGER - ANNEAUX - RING |
| 11 | 31286 | 1 | MOLLA - RESSORT - SPRING | 69 | 20278 | 1 | RONDELLA - RONDELLE - WASHER |
| 12 | 35813 | 2 | VITE - VIS - SCREW | 70 | 35511 | 2 | VITE - VIS - SCREW |
| 13 | 35412 | 1 | DADO - ECROU - NUT | 71 | 35450 | 1 | COPER. - COUVER. - COVER (Verde-Green) |
| 14 | 35703 | 1 | PULEGGIA - POULIE - PULLEY | | 35952 | 1 | COPER. - COUVER. - COVER (Rosso-Red) |
| 15 | 35701 | 1 | CAMMA - SUPPORT - BRACKET | 72 | 35593 | 1 | SEEGER - ANNEAUX - RING |
| 16 | 35415 | 2 | CRICCHETTO - CLIQUET - PAVL | 73 | 35449 | 1 | COPER. - COUVER. - COVER (Verde-Green) |
| 17 | 35702 | 1 | MOLLA - RESSORT - SPRING | | 35953 | 1 | COPER. - COUVER. - COVER (Rosso-Red) |
| 18 | 35796 | 1 | VOLUTA - COUVERCLE - COVER | 74 | 35749 | 1 | PERNO - AXE - CLEVIS PIN |
| 19 | 31290 | 1 | PESCANTE - PIVOT - PIN | 75 | 35456 | 1 | BOCCOLA - ENTRETOISE - SPACER |
| 20 | 31665 | 1 | MOLLA - RESSORT - SPRING | 76 | 35397 | 1 | MOLLA - RESSORT - SPRING |
| 21 | 35020 | 1 | TUBO - TUBE - PIPE | 77 | 35457 | 1 | DADO - ECROU - NUT |
| 22 | 35394 | 1 | CORPO POM. - CORPS POM. - PUMP BODY | 78 | 35474 | 1 | DADO MOLLA -RESS. ECROU - SPR. NUT |
| 23 | 35298 | 1 | ASSELLO-TASSEAU-DOWEL(Verde-Green) | 79 | 35448 | 1 | PARAMANO - PROTECTION - GUARD |
| | 35957 | 1 | TASSELLO-TASSEAU-DOWEL (Rosso-Red) | 80 | 35455 | 1 | PERNO - AXE - CLEVIS PIN |
| 24 | 35021 | 1 | POZZETTO - PUISARD - TRAP | 81 | 35512 | 1 | VITE - VIS - SCREW |
| 25 | 35367 | 1 | COPERCHIO - COUVERCLE - COVER | 82 | 35452 | 1 | PERNO - AXE - CLEVIS PIN |
| 26 | 35294 | 1 | FERMO - GUIDE - DRIVE | 83 | 35400 | 1 | LEVA 2 - LEVIER 2 - LEVER 2 |
| 27 | 35393 | 1 | POMPA - POMPE - PUMP | 84 | 35454 | 1 | PERNO - AXE - CLEVIS PIN |
| 28 | 21069 | 1 | PERNO - PIVOT - PIN | 85 | 35459 | 1 | COPER. - COUVER. - COVER (Verde-Green) |
| 29 | 35043 | 1 | REGISTRO - VIS - SCREW | | 35955 | 1 | COPER. - COUVER. - COVER (Rosso-Red) |
| 30 | 35361 | 1 | GOMMINO - OEILLET - EYELET | 86 | 35803 | 1 | VITE - VIS - SCREW |
| 31 | 35076 | 2 | VITE - VIS - SCREW | 87 | 35395 | 1 | CARTER (Verde - Green) |
| 32 | 31151 | 2 | O-RING | | 35954 | 1 | CARTER (Rosso - Red) |
| 33 | 35366 | 1 | VITE S.F. - VIS - SCREW | 88 | 35514 | 1 | FRENO - FREINE - BRAKE (Verde-Green) |
| 34 | 35364 | 1 | GHIRA - EMBOUT - METAL RING | | 35956 | 1 | FRENO - FREINE - BRAKE (Rosso - Red) |
| 35 | 35434 | 1 | LAMIERINO - SEPARATEUR - SHEET | 89 | 35798 | 1 | AVVIAM. - LANC. - START. (Verde-Green) |
| 36 | 35158 | 2 | VITE - VIS - SCREW | | 35951 | 1 | AVVIAM. - LANC. - START. (Rosso - Red) |
| 37 | 35207 | 1 | LAMIERINO - SEPARATEUR - SHEET | 90 | 31472 | 1 | PROTEZIONE - PROTECTION - GUARD |
| 38 | 35208 | 1 | LAMIERINO - SEPARATEUR - SHEET | 91 | 35970 | 1 | BARRA-GUIDE-BAR 40CM-.325-1,3 |
| 39 | 20058 | 2 | DADO - ECROU - NUT | 91 | 35971 | 1 | BARRA-GUIDE-BAR 45CM-.325-1,5 |
| 40 | 35365 | 1 | RONDELLA - RONDELLE - WASHER | 91 | 35972 | 1 | BARRA-GUIDE-BAR 40CM-.325-1,5 |
| 41 | 35156 | 1 | GABBIA - ROULEMENT - BEARING | 91 | 35973 | 1 | BARRA-GUIDE-BAR 45CM-3/8"-1,5 |
| 42 | 35144 | 1 | CAMPANA - TAMBOUR - DRUM (.325) | 92 | 35974 | 1 | CATENA-CHAINE 66 - .325 - 1,3 |
| 42 | 35815 | 1 | CAMPANA - TAMBOUR - DRUM (3/8") | 92 | 35975 | 1 | CATENA-CHAINE 72 - .325 - 1,5 |
| 43 | 35024 | 1 | RONDELLA - RONDELLE - WASHER | 92 | 35976 | 1 | CATENA-CHAINE 66 - .325 - 1,5 |
| 44 | 35130 | 1 | MOLLA - RESSORT - SPRING | 92 | 35977 | 1 | CATENA-CHAINE 64 - 3/8" - 1,5 |
| 45 | 35023 | 3 | PATTINO - MACHOIRE - SHOE | 93 | 35029 | 1 | NOTTOLINO - PIVOT - PIN |
| 46 | 35022 | 1 | MOZZO - MOYEUX - HUB | 94 | 35447 | 1 | POMPA COM. - POMPE COM. - COM. PUMP |
| 47 | 35133 | 1 | O-RING | 95 | 35143 | 1 | FRIZIONE - EMBRAYAGE - CLUTCH |
| 48 | 35046 | 1 | TAPPO MIX - BOUCHE MIX - MIX CAP | 96 | 31360 | 1 | GABBIA - ROULEMENT - BEARING |
| 49 | 35690 | 1 | SERBAT. - RESERV. - TANK (Verde-Green) | 97 | 35135 | 1 | ANELLO - GUIDE - DRIVE (.325) |
| | 35958 | 1 | SERBAT. - RESERV. - TANK (Rosso-Red) | | 35931 | 1 | ANELLO - GUIDE - DRIVE (3/8") |
| 50 | 35423 | 1 | LEVA - LEVIER - LEVER | 98 | 35136 | 1 | CAMPANA - TAMBOUR - DRUM |
| 51 | 35427 | 1 | MOLLA - RESSORT - SPRING | 99 | 35358 | 1 | KIT: CAMPANA - TAMBOUR - DRUM (.325) |
| 52 | 35424 | 1 | LEVA - LEVIER - LEVER | | 35932 | 1 | KIT: CAMPANA - TAMBOUR - DRUM (3/8") |
| 53 | 35119 | 1 | PERNO - PIVOT - PIN | 100 | 20425 | 1 | CHIAVE - SPANNER D.4 |
| 54 | 35485 | 1 | PERNO - PIVOT - PIN | 101 | 20426 | 1 | CHIAVE - SPANNER D.5 |
| 55 | 35812 | 1 | TUBO - TUBE - PIPE | 102 | 31328 | 1 | CHIAVE - SPANNER 13 X 19 |
| 56 | 20093 | 1 | FILTRO - FILTRE - FILTER | 103 | 21012 | 1 | CACCIAVITE - SCREWDRIIVER |
| 57 | 35709 | 1 | TUBO - TUBE - PIPE | 104 | 35908 | 1 | KIT ATTREZZI - TOOL KIT |
| 58 | 35747 | 1 | SPUGNA - EPONGE - SPONGE | | | | |



CARBURATORE WT693-CARBURATEUR WT693-CARBURETOR WT693 Gr. 52

| RIF | COD | Q | DESCRIZIONE - DESCRIPTION | RIF | COD | Q | DESCRIZIONE - DESCRIPTION |
|-----|-----------------|---|---------------------------------|-----|-----------------|---|---------------------------------|
| REF | N° / P P / N | | | REF | N° / P P / N | | |
| 1 | 35190 | 1 | VITE - VIS - SCREW | 16 | 20241 | 1 | PERNO - PIVOT - PIN |
| 2 | 35189 | 1 | MOLLA - RESSORT - SPRING | 17 | 35167 | 1 | VITE - VIS - SCREW |
| 3 | 35188 | 1 | VITE - VIS - SCREW | 18 | 35170 | 1 | GUARNIZIONE - JOINT - GASKET |
| 4 | 35597 | 1 | COPERCHIO - COUVERCLE - COVER | 19 | 35171 | 1 | MEMBRANA - MEMBRANE - DIAPHRAGM |
| 5 | 35186 | 1 | GUARNIZIONE - JOINT - GASKET | 20 | 35173 | 4 | VITE - VIS - SCREW |
| 6 | 35185 | 1 | MEMBRANA - MEMBRANE - DIAPHRAGM | 21 | 35172 | 1 | COPERCHIO - COUVERCLE - COVER |
| 7 | 35184 | 1 | FILTRO - FILTRE - FILTER | 22 | 35174 | 1 | MOLLA - RESSORT - SPRING |
| 8 | 35183 | 1 | VITE - VIS - SCREW | 23 | 35175 | 1 | VITE - VIS - SCREW (H) |
| 9 | 35182 | 1 | LEVA - LEVIER - LEVER | 24 | 35176 | 1 | VITE - VIS - SCREW (L) |
| 10 | 35183 | 1 | VITE - VIS - SCREW | 25 | 35180 | 1 | MOLLA - RESSORT - SPRING |
| 11 | 35519 | 1 | CLIP | 26 | 35177 | 1 | MOLLA - RESSORT - SPRING |
| 12 | | | | 27 | 35520 | 1 | ASSE - AXE - PIN |
| 13 | 20243 | 1 | SPILLO - PIVOT - PIN | 28 | 35183 | 1 | VITE - VIS - SCREW |
| 14 | 35165 | 1 | MOLLA - RESSORT - SPRING | 29 | 35332 | 1 | FARFALLA - SOUPAPE - VALVE |
| 15 | 20239 | 1 | LEVETTA - LEVIER - LEVER | 30 | 35823 | 1 | KIT : MEMBR. - MEMBR. - DIAPH. |